

Peeper-SM95

20W Fixed Surface Mounted Downlight

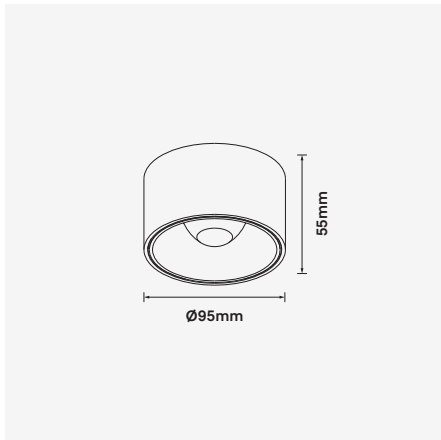


Luminaire Finishes

White (WH) Black (BK)

Interchangeable Baffle Finishes

White (WH) Black (BK)



WATTAGE 20W
Ø95
IP 54
Bluetooth
Z
bati
CE
WARRANTY 5YR

3-Step
CRI (Ra) >90
Surface
45°
MAINS DIM

LED, surface mounted architectural luminaire series providing symmetrical, low-glare light distribution in a high quality manufactured fitting. The Peeper LED surface mounted series offers efficient performance with a minimal designed body and a symmetrical distribution to suit a wide range of applications thanks to its unique optical lens. Offered in white or black colour options to suit applications ranging from residential to commercial fitouts and utilises a DOB LED.

A wide range of colour temperatures and dimming options from Mains dimmable through to DALI-2 and Bluetooth. Peeper-SM series offers a 5 year warranty.

- Luminaire wattage: 20W (System)
- Luminous flux: 1198-1258Lm²
- Luminaire efficacy: 59.9Lm/W¹
- Correlated colour temperature: 3000K, 4000K
- Colour rendering index: >90³
- Mac-Adams Ellipse: 3-SDCM
- LED type: Lumens DOB LED
- Glare control: <19
- Symmetrical distribution: 45°
- Outer trim Ø95mm x Height 55mm
- Ingress protection rating: IP54
- Luminaire finishes: White, Black
- Baffle options: White, Black
- Longevity: >50,000Hrs L80 B10
- Driver: Mains dimmable as standard
- Dimming: DALI-2, BLE (basicDIM Wireless / Casambi) on request⁴
- Weight: 390g (including driver)
- Warranty: 5 years⁵

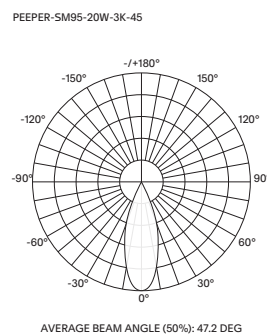
Model	LED Output ²	Luminous Flux ²	System Wattage	CCT	CRI ³	Distribution
PEEPER-SM95-20W-3K-45	1723Lm	1198Lm	20W	3000K	>90	45°
PEEPER-SM95-20W-4K-45	1810Lm	1258Lm	20W	4000K	>90	45°

For MAINS dimming add suffix MD
For DALI-2 dimming add suffix D
For BLUETOOTH dimming add suffix BT

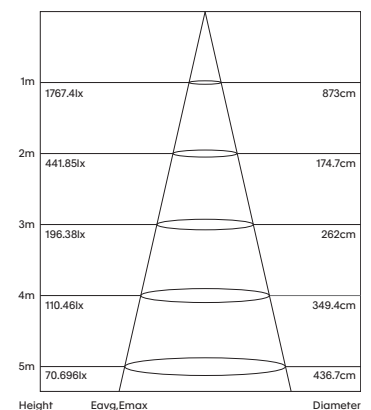
Example product order code configuration: Peeper-SM95-20W-3K-45-MD-(WH/BK)

Model	Wattage	CCT	Distribution	Driver	Luminaire finish / Baffle finish					
PEEPER-SM95	+	20W	+	3K	+	45	+	MD	+	WH/BK

Light Distribution



Cone Diagram



1 Luminaire efficacy based on CCT 3000K; CCT variation will alter efficacy
2 +/- 10% stated initial LED and luminous flux tolerance
3 Colour Rendering Index; >90 Standard (Lumens DOB LED series)
4 Charges apply for non-standard colour/s and dimming options
5 Five year manufacturer's warranty covering product defects and performance deficiencies