

Elements-SM200

50W Fixed IP Rated Harsh Environment Downlight

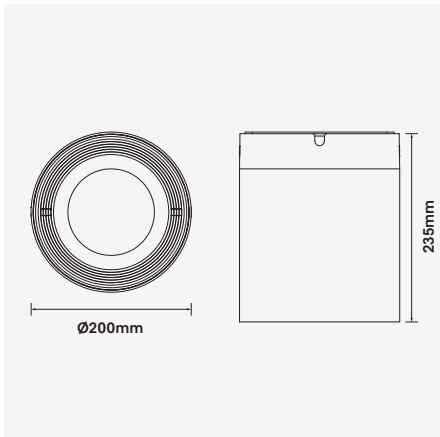


Luminaire Finishes

White (WH) Black (BK) Dark Grey (DG)

Baffle Finish

Black (BK)



Accessories

ELEMENTS-SM200-GL
Elements Anti-Glare Ring Louvre



ELEMENTS-SM200-HC
Elements Honeycomb Louvre



WATTAGE 50W	12° / 24° / 36° / 60°	Bluetooth	Z	CE	WARRANTY 5YR	
3-Step	CRI (Ra) >80	VOLTAGE 240VAC	VOLTAGE 24VDC	IP 65	IK 06	Surface

LED ceiling mounted luminaire providing dramatic, yet functional illumination. Quality design ensures optimised performance and reliability in both architectural and commercial spaces alike. Precise beam control with various distribution options to suit a wide array of applications.

Applications including schools, shopping precincts, commercial office spaces including industrial environments in which either decorative or functional illumination is required. Made from the highest grade components including 3mm tempered glass for extra durability, an impressive IP65 and high IK impact rating to class leading Japanese Nichia LED for added longevity. Either 240VAC or 24VDC operation with optional DALI-2 dimming. Elements-SM200 series offers a 5 year warranty.

- Luminaire wattage: 50W (System 55W)
- Luminous flux: 4549-4958Lm²
- Luminaire efficacy: 82.70Lm/W¹
- Correlated colour temperature: 3000K, 4000K
- Colour rendering index: >80³
- Mac-Adams Ellipse: 3-SCDM
- LED brand: NICHIA COB LED
- Symmetrical distribution: 12°, 24°, 36°, 60°
- Outer trim Ø200mm x Height 235mm
- Ingress protection rating: IP65
- Impact Protection Rating: IK06
- Luminaire finishes: White, Black, Dark Grey
- Voltage: 240VAC Standard; DC24V Optional
- Longevity: >50,000hrs L80 B10
- Dimming: (24VDC) DALI-2 & BLE (basicDIM Wireless / Casambi) optional⁴
- Weight: 3.9kg (including driver)
- Warranty: 5 years⁵

Model	Luminous Flux ²	LED Wattage	System Wattage	CCT	CRI ³	Distribution
ELEMENTS-SM200-50W-3K	4549Lm	50W	55W	3000K	>80	12°, 24°, 36°, 60°
ELEMENTS-SM200-50W-4K	4958Lm	50W	55W	4000K	>80	12°, 24°, 36°, 60°

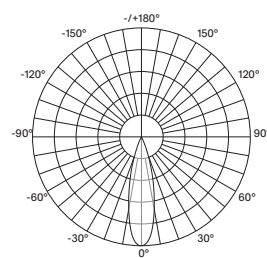
For Non-dimming add suffix ND
For DALI-2 dimming add suffix D
For BLUETOOTH dimming add suffix BT

Example product order code configuration: ELEMENTS-SM200-50W-3K-24-ND-(DG/BK/240V)

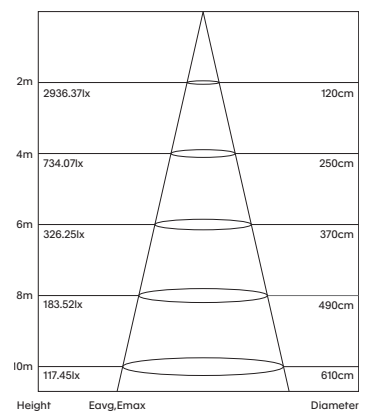
Model	Wattage	CCT	Distribution	Driver	Luminaire Finish / Baffle Finish / Voltage
ELEMENTS-SM200	+ 50W	+ 3K	+ 24	+ ND	+ DG/BK/240V

Light Distribution

ELEMENTS-SM200-50W-3K-12



Cone Diagram



1 Luminaire efficacy based on CCT 3000K; CCT variation will alter efficacy
2 +/- 10% stated initial LED and luminous flux tolerance
3 Colour rendering Index: >80 standard (Nichia COB Series)
4 Additional charges apply for non-standard colour/s, accessories, 24VDC LED drivers and dimming options
24VDC luminaire required if dimming is required
5 Five year manufacturer's warranty covering product defects and performance deficiencies