

Warp-SM62

7W Adjustable Surface Mount Downlight

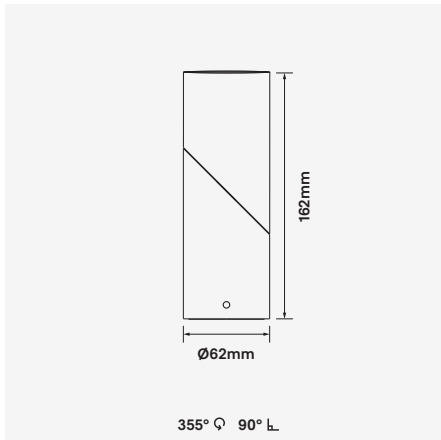


Luminaire Finishes

White (WH) Black (BK)

Baffle Finish

Black (BK)



WATTAGE 7W
CRI (Ra) >90
UGR <19
Bluetooth
Z
BAKT
CE
WARRANTY 5YR

3-Step
28° / 38° / 48°
355° 90°
IP 20
Surface

Surface mounted adjustable LED architectural luminaire that can be rotated 355° and tilted up to 90° to provide flexibility and versatility in a range of applications. With a deep-set light source and symmetrical distribution the Warp is small, discrete and minimal by design.

With a die-cast aluminium construction it is available in standard matte white and solid black surface finishes with a black internal baffle. The Warp-SM62 integrates Citizen COB LED technology and a non-dimmable driver as standard with optional DALI-2 or Bluetooth dimming. The Warp series offers a 5 year warranty.

- Luminaire wattage: 7W (System 9W)
- Luminous flux: 565-650Lm²
- Luminaire efficacy: 71.41Lm/W¹
- Correlated colour temperature: 2700K, 3000K, 4000K
- Colour rendering index: >90³
- Mac-Adams Ellipse: 3-SDCM
- LED type: COB LED
- Glare control: <19
- Symmetrical distribution: 28°, 38°, 48°
- Outer trim: Ø62mm x Height 162mm
- Ingress protection rating: IP20
- Luminaire finishes: White, Black
- Baffle options: Black
- Longevity: >50,000Hrs L80 B10
- Driver: Non-dimmable as standard
- Dimming: Remote DALI-2, BLE (basicDIM Wireless / Casambi) on request⁴
- Weight: 580g (inc. non-dimmable driver)
- Warranty: 5 years⁵

Model	LED Output ²	Luminous Flux ²	LED Wattage	System Wattage	CCT	CRI ³	Distribution
WARP-SM62-7W-27K	880Lm	565Lm	7W	9W	2700K	>90	28°, 38°, 48°
WARP-SM62-7W-3K	946Lm	607Lm	7W	9W	3000K	>90	28°, 38°, 48°
WARP-SM62-7W-4K	1012Lm	650Lm	7W	9W	4000K	>90	28°, 38°, 48°

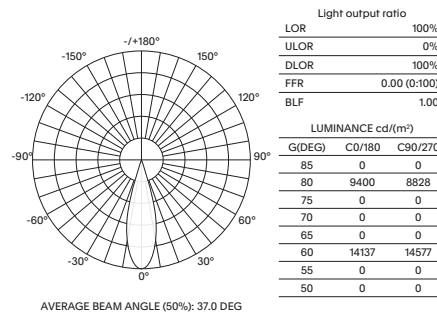
For Non-dimming add suffix ND
For DALI-2 dimming add suffix D
For BLUETOOTH dimming add suffix BT

Example product order code configuration: WARP-SM62-7W-3K-48-ND-(WH/BK)

Model	Wattage	CCT	Distribution	Driver	Luminaire Finish / Baffle Finish					
WRAP-SM62	+	7W	+	3K	+	48	+	ND	+	WH/BK

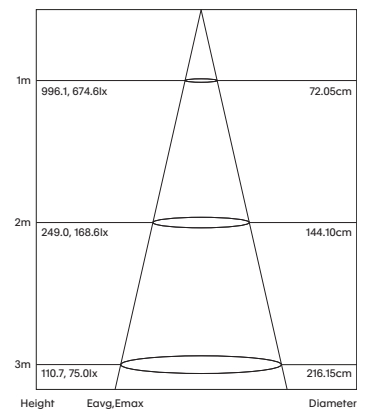
Light Distribution

WARP-SM62-7W-3K-38



Utilisation Factors		Room Index								
Room Reflectance		1.00	2.00	3.00	4.00	5.00	6.00	7.00	8.00	9.00
Ceiling	70	1.06	0.97	0.90	0.83	0.77	0.71	0.66	0.62	0.58
Walls	50									
Floor	20									

Cone Diagram



1 Luminaire efficacy based on 3000K; CCT variation will alter efficacy
2 +/- 10% stated initial LED luminous flux tolerance
3 Colour rendering Index: >90 standard
4 Additional charges apply for non-standard colour/s and dimming options. DALI and Bluetooth dimming LED drivers are required to be mounted remotely to the luminaire
5 Five year manufacturer's warranty covering product defects and performance deficiencies