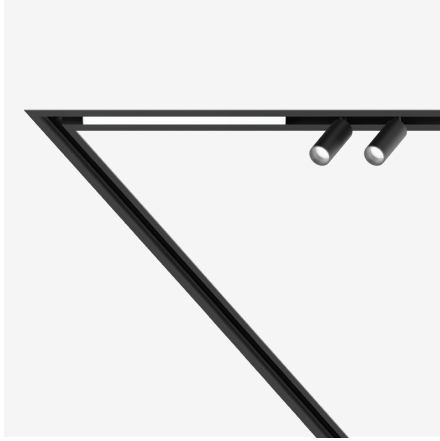


## TR-REC26

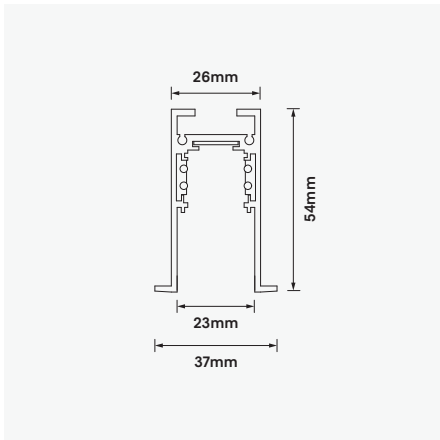
### 48VDC Recessed Track System



Track Finish

■ Black (BK)

**Recessed Track**  
Product No: TR-REC26  
Colour: Black  
Size: W37mm x H54mm  
Weight: 1.305kgs/m



VOLTAGE 48VDC Track IP 20 Bluetooth DALI CE WARRANTY 5YR

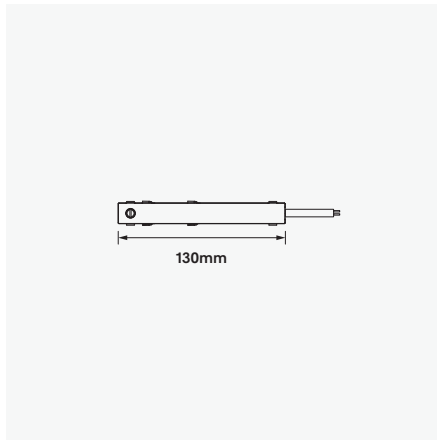
Recessed

The 48VDC low voltage track system is synonymous with electrical safety, permitting greater flexibility and ease of use including installation. The luminaire can be installed and moved to any position without the need for turning off the power to the track. This is due to its low voltage input of 48VDC. No tools are required, the luminaires simply snap-lock into position, remaining in place until you want to remove or re-position the luminaire.

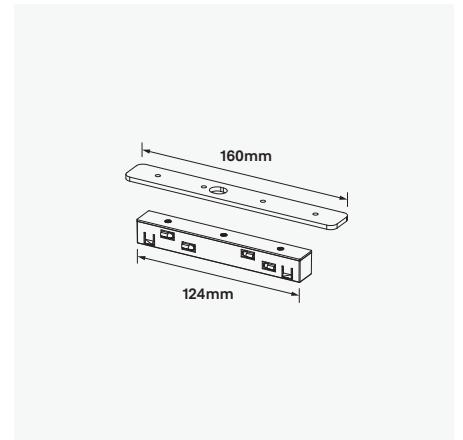
The elegant and minimalist design permits a range of micro luminaires ranging from spots, pendants and linear sources with many features. The system features simple on/off operation with additional dimming options to suit a number of protocols such as DALI or Bluetooth dimming. The system is designed to suit applications from residential through to retail and commercial. The 48VDC Track system is covered by a 5 year warranty.

- Mounting: Recessed mounting (with trim)
- Construction: Extruded 6063T grade aluminium mounting profile
- Finish options: Matt Black
- Accessories: End caps & joiners configuration dependant
- Length (max.) 3000mm x Width 37mm x Height 54mm
- Ingress Protection Rating: IP20
- Specifically designed for 48VDC Spots,
- Linear and Pendants
- Compatible with on/off operation, DALI and BLE dimming protocols
- Weight: 1.305kgs/m (excluding driver & accessories)
- Warranty: 5 year<sup>1</sup>

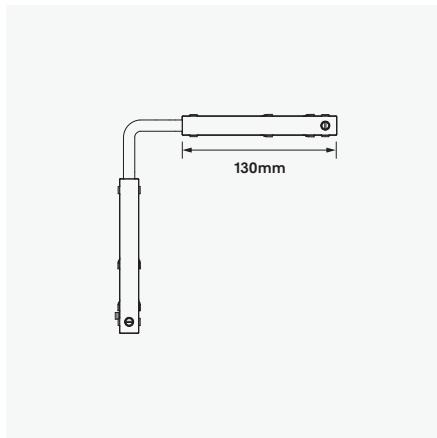
**Power Feed Unit**  
Product No: TR-26-PF-1M  
Colour: Black  
Size: W16mm x H17mm x L130mm  
Weight: 9g



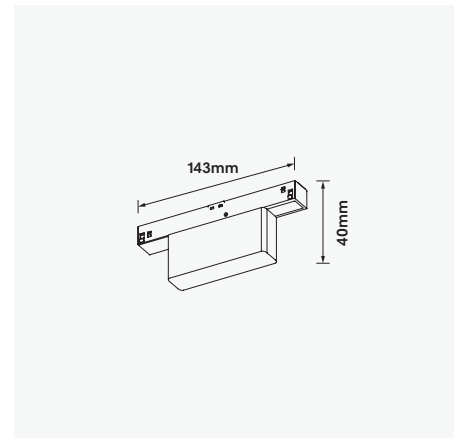
**Power Straight Joiner**  
Product No: TR-26-PJ  
Colour: Black  
Size: W16mm x H17mm x L124mm  
Weight: 105g



**Power Flexible Joiner**  
Product No: TR-26-FJ  
Colour: Black  
Size: W16mm x H17mm x L130mm  
Weight: 53g



**Bluetooth Wireless Module**  
Product No: TR-BLE-DALIGATE  
Colour: Black  
Size: W17mm x H54mm x L143mm  
Weight: 62g

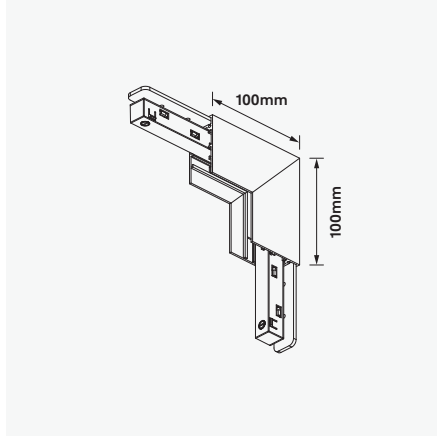


## TR-REC26

### 48VDC Recessed Track System

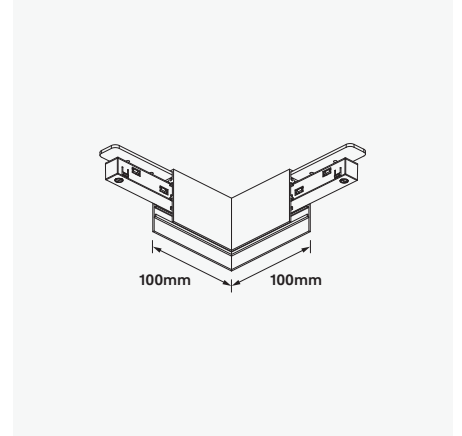
#### Recessed Corner-V

Product No: TR-REC26-CNR-V  
Colour: Black  
Size: L100mm x 100mm (W26mm x H54mm)  
Weight: 320g



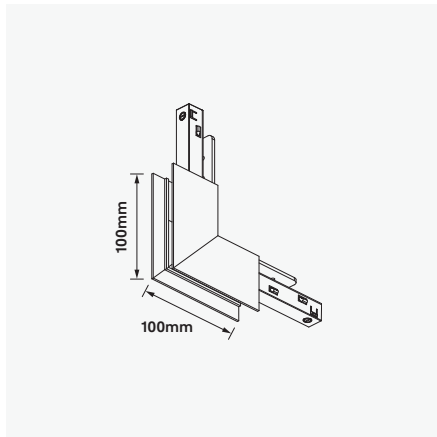
#### Recessed Corner-H

Product No: TR-REC26-CNR-H  
Colour: Black  
Size: L100mm x 100mm (W26mm x H54mm)  
Weight: 240g



#### Recessed Corner-E

Product No: TR-REC26-CNR-E  
Colour: Black  
Size: L100mm x 100mm (W26mm x H54mm)  
Weight: 305g



#### Recessed End Cap

Product No: TR-REC26-EC (PR)  
Colour: Black  
Size: W37mm x H54mm x D2mm  
Weight: 10.4g

