

## Void-F160

### 25W Fixed LED Recessed Downlight

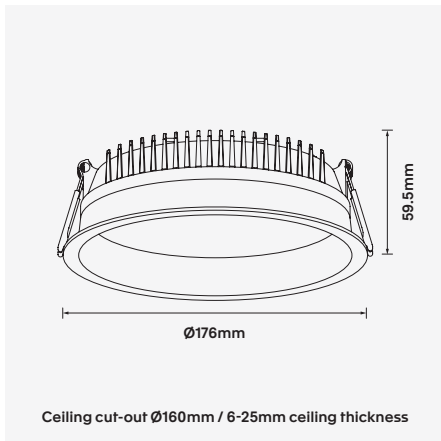


Luminaire Finishes

White (WH)  Black (BK)

Baffle Finishes

White (WH)  Black (BK)  Silver (SV)  
 Gold (GD)  Custom



WATTAGE 25W
90°
Ø 160
UGR <19
Bluetooth
CE
WARRANTY 5YR

3-Step
CRI (Ra) >90
COI ON REQUEST
IP 44

Recessed architectural luminaire providing symmetrical, low-glare lighting distribution. The Void LED downlight series offers performance and efficiency within a slim fitting that's short enough to accommodate shallow ceiling voids. With an IP44 rating and multiple surface finishes to suit various applications it is available in a range of colour temperatures and wattage/lumen packages.

Various dimming options include DALI or BLE (Casambi) on request and is quality constructed with a micro-prismatic, low UGR diffuser and a Bridgelux SMD LED. The Void series comes with a 5 year warranty.

- Luminaire wattage: 25W (System 27W)
- Luminous flux: 1947-1969Lm<sup>2</sup>
- Luminaire efficacy: 82,04Lm/W<sup>1</sup>
- Correlated colour temperature: 3000K, 4000K
- Colour rendering index: >90 standard; COI on request<sup>3</sup>
- Mac-Adams Ellipse: 3-SDCM
- LED brand: Bridgelux SMD LED
- Glare control: UGR<19
- Symmetrical distribution: 90°
- Outer trim Ø176mm; Ceiling cut-out Ø160mm
- Ingress protection rating: IP44
- Luminaire finishes: White, Black
- Baffle Options: White, Black, Silver, Gold, Custom<sup>4</sup>
- Longevity: >50,000Hrs L80 B10
- Driver: Tridonic non-dimmable as standard
- Dimming: DALI-2, BLE (basicDIM Wireless / Casambi) on request<sup>4</sup>
- Weight: 550g (excluding driver)
- Warranty: 5 years<sup>5</sup>

Model	LED Output <sup>2</sup>	Luminous Flux <sup>2</sup>	LED Wattage	System Wattage	CCT	CRI <sup>3</sup>	Distribution
VOID-F160-25W-3K	2375Lm	1947Lm	25W	27W	3000K	>90	90°
VOID-F160-25W-4K	2425Lm	1969Lm	25W	27W	4000K	>90	90°

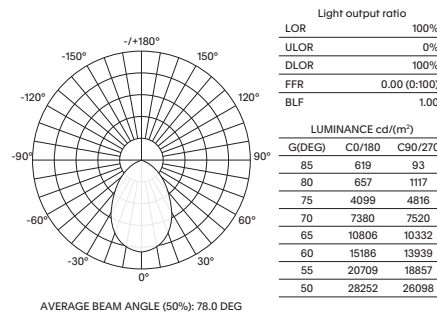
For Non dimming add suffix ND  
For DALI-2 dimming add suffix D  
For BLUETOOTH dimming add suffix BT

Example product order code configuration: VOID-F160-25W-3K-90-D-(WH/GD)

Model	Wattage	CCT	Distribution	Driver	Luminaire Finish / Baffle Finish					
VOID-F160	+	25W	+	3K	+	90	+	D	+	WH/GD

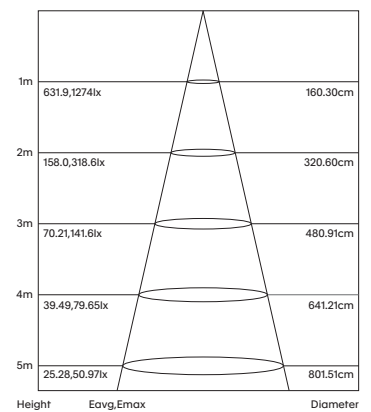
#### Light Distribution

VOID-F160-25W-3K-90



Utilisation Factors		Room Index									
Room Reflectance		0.80	1.00	1.25	1.50	2.00	2.50	3.00	4.00	5.00	
Ceiling	70	72	80	86	91	96	99	102	105	107	
Walls	50										
Floor	20										

#### Cone Diagram



1 Luminaire efficacy based on CCT 3000K; CCT variations will alter efficacy  
2 +/- 10% stated initial LED and luminous flux tolerance  
3 Colour Rendering Index: >90 Standard (Bridgelux SMD Series), >97 / Cyanosis Observation Index (COI) compliance on request  
Bridgelux LED series compliant to AS/NZS1680.2.5:2018; COI <3.3 and CCT 3300-5300K  
4 Additional charges apply for non-standard colour/s and dimming options  
5 Five year manufacturer's warranty covering product defects and performance deficiencies