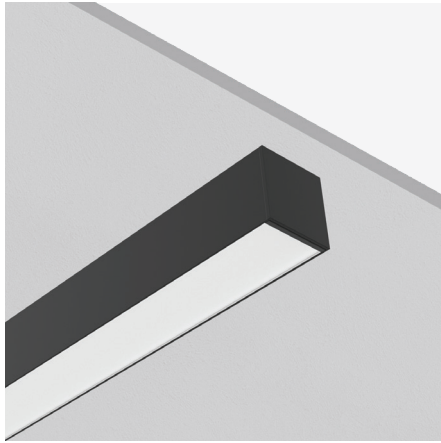
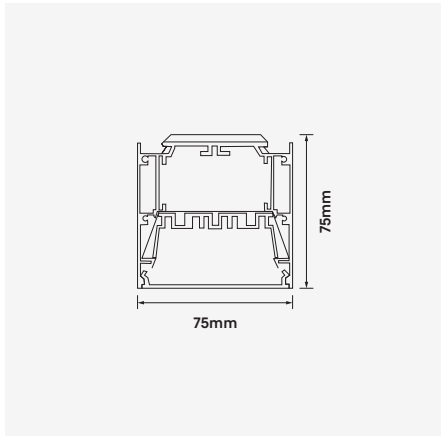


Prolume-75-SM

Surface Mounted Linear LED Profile



Luminaire Finishes



Diffuser options

Opal PC (OP)
Opal Polycarbonate



Micro prismatic (UGR)
Low UGR<19 Diffuser



Accessories

Emergency module (EM)
Classification C0/D90, D40/D40



Sensor (SEN)
Ambient light sensor and motion sensor



Prolume-75 is a versatile and configurable LED lighting system that creates a range of lighting possibilities. The system provides engineers, designers and contractors with the ability to create different lighting scenarios and environments within a single luminaire design. Available as standard in a diffused LED profile or high transmittance PC lens with layered surface treatment for low visual glare.

Prolume-75 offers an optional integrated emergency function or ambient light sensor with motion detection. The fitting can be surface mounted to suit almost any application and integrates Vossloh Schwabe LEDs and controls plus optional DALI-2 or Bluetooth dimming. Systems are backed by a 5 year warranty.

- Luminaire wattage: 11W, 19W, 28W (System 13W, 22W, 32W)
- Luminous flux/m: 1708-1820Lm, 3093-3180Lm, 3808-4088Lm²
- Luminaire efficacy/m: 154.24Lm/W, 160.61Lm/W, 140.97Lm/W¹
- LED working current: 150mA, 250mA, 350mA
- Correlated colour temperature: 3000K, 4000K, 5000K
- Colour rendering index: >85³
- Mac-Adams Ellipse: 3-SDCM
- LED Brand: Vossloh-Schwabe (Nichia SMD)
- LED mounting: Zhaga compliant mounting
- Longevity: >72,000Hrs L80 B10
- Diffuser options: Opal PC, Low UGR<19
- Distribution: 110° opal diffuser, 90° micro-prismatic
- Ingress protection rating: IP44
- Luminaire finish: White, Black, Silver, Custom
- Luminaire dimensions: Width 75mm x Height 75mm x Length custom
- Driver: Non-Dimmable Vossloh-Schwabe LED driver as standard
- Dimming: DALI-2, BLE (Casambi) on request⁴
- Accessories: Emergency, Ambient light sensor and motion sensor⁵
- Weight/m: 2.95kg
- Warranty: 5 years⁵

Model	LED Output/m ²	Luminous Flux/m ²	LED Wattage/m	System Wattage/m	CCT	CRI ³	Distribution	Current
PROLUME-75-SM-11W-3K	2135Lm	1708Lm	11W	13W	3000K	>85	110°	150mA
PROLUME-75-SM-11W-4K	2275Lm	1820Lm	11W	13W	4000K	>85	110°	150mA
PROLUME-75-SM-11W-5K	2275Lm	1820Lm	11W	13W	5000K	>85	110°	150mA
PROLUME-75-SM-19W-3K	3465Lm	3093Lm	19W	22W	3000K	>85	110°	250mA
PROLUME-75-SM-19W-4K	3710Lm	3180Lm	19W	22W	4000K	>85	110°	250mA
PROLUME-75-SM-19W-5K	3710Lm	3180Lm	19W	22W	5000K	>85	110°	250mA
PROLUME-75-SM-28W-3K	4760Lm	3808Lm	28W	32W	3000K	>85	110°	350mA
PROLUME-75-SM-28W-4K	5110Lm	4088Lm	28W	32W	4000K	>85	110°	350mA
PROLUME-75-SM-28W-5K	5110Lm	4088Lm	28W	32W	5000K	>85	110°	350mA

For Non-dimming add suffix ND
For DALI-2 dimming add suffix D
For BLUETOOTH dimming add suffix BT

Example product order code configuration: PROLUME-75-SM-28W-4K-ND-(WH/OP)

Model	Wattage	CCT	Driver	Luminaire / Diffuser
PROLUME-75-SM	28W	4K	ND	WH/OP

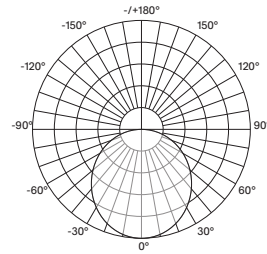
1 Luminaire efficacy based on CCT 4000K; CCT variation will alter efficacy
2 +/- 10% stated initial LED and luminous flux tolerance
3 Colour Rendering Index; >85 Standard (Nichia SMD LED series)
4 Charges apply for non-standard colour/s, cuts, accessories and dimming options
5 Five year manufacturer's warranty covering product defects and performance deficiencies

Prolume-75-SM

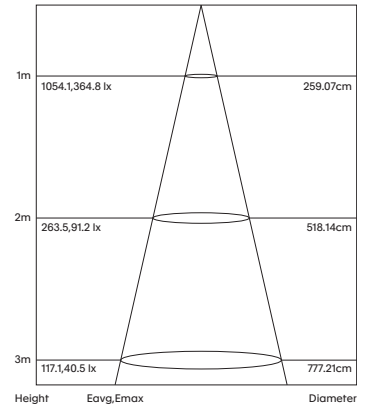
Surface Mounted Linear LED Profile

Light Distribution

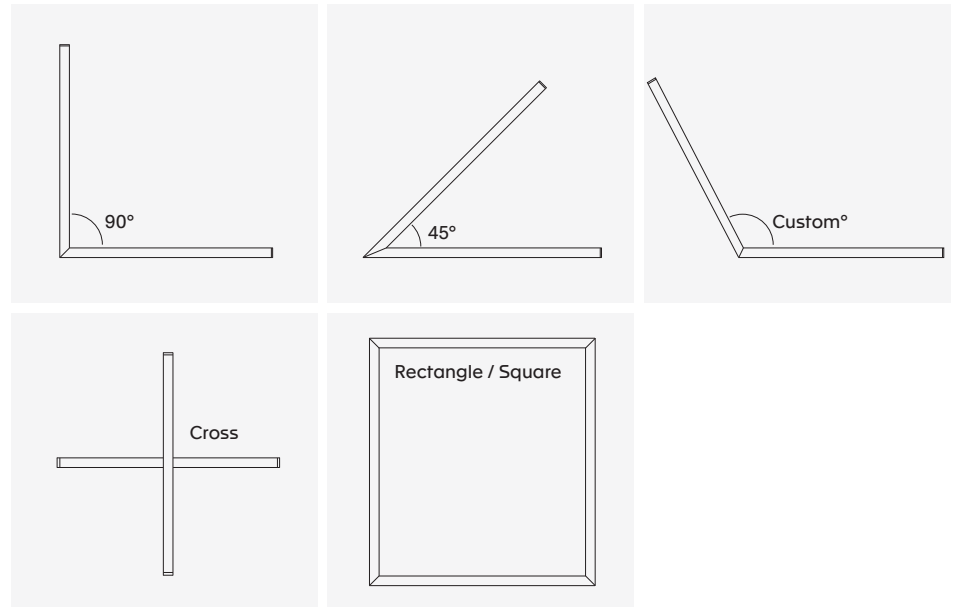
PROLUME-75-28W-4K



Cone Diagram



Custom profile configuration



- 1 Luminaire efficacy based on CCT 4000K; CCT variation will alter efficacy
- 2 +/- 10% stated initial LED and luminous flux tolerance
- 3 Colour Rendering Index; >85 Standard (Nichia SMD LED series)
- 4 Charges apply for non-standard colour/s, cuts, accessories and dimming options
- 5 Five year manufacturer's warranty covering product defects and performance deficiencies