

Linie-F10C

22W Fixed Linear Recessed Downlight

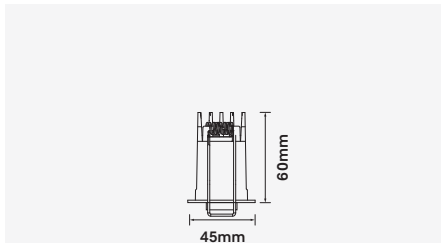


Luminaire Finishes

White (WH) Black (BK)

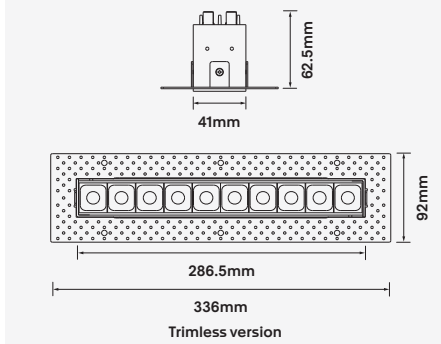
Interchangeable Baffle Finishes

White (WH) Black (BK) Gold (GD)
 Silver (SV)



Ceiling cut-out W37 x L282mm / 6-25mm ceiling thickness

Optional LINIE-F10C-22W



Ceiling cut-out W47 x L292mm / 6-25mm ceiling thickness

WATTAGE 22W
UGR <19
CRI (Ra) >90
Bluetooth
Z
bati
CE
WARRANTY 5YR

3-Step
24° / 40°
37 x 282
47 x 292
IP 44
Recessed

Fixed recessed LED architectural downlight series provides symmetrical, low-glare light distribution within a compact, linear housing. Available in multiple baffle finishes to suit a variety of applications in a trim or trimless option for a seamless look.

Comes quality constructed using a die-cast aluminium structure with high grade polycarbonate secondary baffle optics. Integrating OSRAM LED technology with a TRIDONIC control gear, the Linie series comes with a 5 year warranty.

- Luminaire wattage: 22W (System 24W)
- Luminous flux: 1600-1700Lm²
- Luminaire efficacy: 66.66Lm/W¹
- Correlated colour temperature: 3000K, 4000K
- Colour rendering index: >90³
- Mac-Adams Ellipse: 3-SDCM
- LED brand: Osram SMD LED
- Glare control: <19
- Symmetrical distribution: 24°, 40°
- Outer trim: Width 45mm x Length 290mm
Ceiling cut-out Width 37mm x Length 282mm
- Ingress protection rating: IP44
- Luminaire finishes: White, Black
- Baffle options: White, Black, Gold, Silver⁴
- Longevity: >50,000Hrs L80 B10
- Driver: Tridonic non-dimmable LED driver as standard
- Dimming: DALI-2, BLE (basicDIM Wireless / Casambi) on request⁴
- Weight: 500g (inc. non-dimmable driver)
- Warranty: 5 years⁵

| Model | LED Output ² | Luminous Flux ² | LED Wattage | System Wattage | CCT | CRI ³ | Distribution |
|----------------------|-------------------------|----------------------------|-------------|----------------|-------|------------------|--------------|
| LINIE-F10C-22W-3K-24 | 2100Lm | 1600Lm | 22W | 24W | 3000K | >90 | 24° |
| LINIE-F10C-22W-4K-24 | 2200Lm | 1700Lm | 22W | 24W | 4000K | >90 | 24° |
| LINIE-F10C-22W-3K-40 | 2100Lm | 1600Lm | 22W | 24W | 3000K | >90 | 40° |
| LINIE-F10C-22W-4K-40 | 2200Lm | 1700Lm | 22W | 24W | 4000K | >90 | 40° |

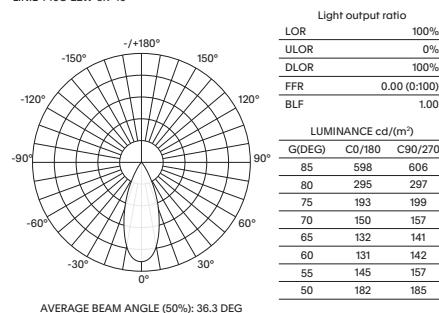
For Non-dimming add suffix ND
For DALI-2 dimming add suffix D
For BLUETOOTH dimming add suffix BT

Example product order code configuration: LINIE-F10C-22W-3K-40-ND-(WH/BK)

| Model | Wattage | CCT | Distribution | Driver | Luminaire Finish / Baffle Finish |
|------------|---------|-----|--------------|--------|----------------------------------|
| LINIE-F10C | 22W | 3K | 40 | ND | WH/BK |

Light Distribution

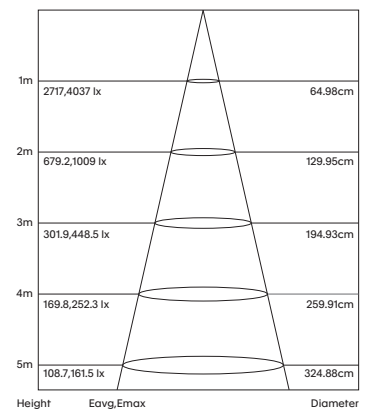
LINIE-F10C-22W-3K-40



Utilisation Factors

| Room Reflectance | Room Index | | | | | | | | | | |
|-------------------------|------------|------|------|------|------|------|------|------|------|--|--|
| Ceiling Walls Floor | 0.80 | 1.00 | 1.25 | 1.50 | 2.00 | 2.50 | 3.00 | 4.00 | 5.00 | | |
| 70 50 20 | 92 | 96 | 100 | 103 | 105 | 107 | 108 | 110 | 112 | | |

Cone Diagram



1 Luminaire efficacy based on CCT 3000K; CCT variation will alter efficacy
2 +/- 10% stated initial LED and luminous flux tolerance
3 Colour Rendering Index; >90 Standard (Osram SMD LED series)
4 Charges apply for non-standard colour/s and dimming options
5 Five year manufacturer's warranty covering product defects and performance deficiencies