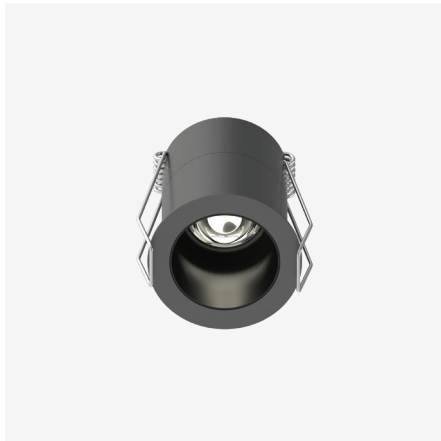


Polkadot-F45

6W Fixed LED Mini Recessed Downlight

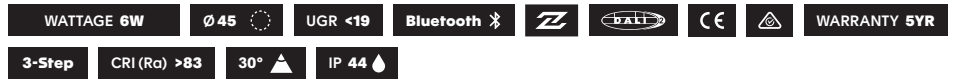
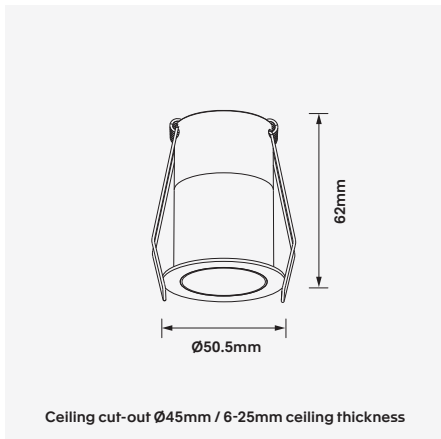


Luminaire Finishes

White (WH) Black (BK)

Interchangeable Baffle Finishes

White (WH) Black (BK) Silver (SV)
 Gold (GD) Custom



Minimal micro recessed LED architectural luminaire series providing ultra-low-glare and visual comfort with its deep set light source. Even and smooth illuminance with a range of optical distributions and wattages to suit different applications from accent lighting to spot lighting of an object.

The Polkadot works equally well in hotel applications where a minimal and simple look is required. Interchangeable internal reflectors and exterior frame colours enable the Polkadot to blend in with its surrounds or stand out as a statement piece.

Polkadot also offers a range of dimming options and is made from a die-cast aluminium housing, aluminium reflector and high-grade polycarbonate secondary reflectors. Integrating world leading brands such as and Citizen LED technology, the Polkadot comes with a 5 year warranty.

- Luminaire wattage: 6W (System 8W)
- Luminous flux: 450-480Lm²
- Luminaire efficacy: 56.25Lm/W¹
- Correlated colour temperature: 3000K, 4000K
- Colour rendering index: >83³
- Mac-Adams Ellipse: 3-SDCM
- LED Brand: Citizen COB LED
- Glare control: UGR<19
- Symmetrical distribution: 30°
- Outer trim Ø50.5mm; Ceiling cut-out Ø45mm
- Ingress protection rating: IP44 (From underside)
- Luminaire finishes: White, Black
- Baffle Options: White, Black, Silver, Gold, Custom⁴
- Longevity: >50,000Hrs L80 B10
- Driver: Non-dimmable LED driver as standard
- Dimming: DALI-2, BLE (basicDIM Wireless / Casambi) on request⁴
- Weight: 110g (excluding driver)
- Warranty: 5 years⁵

Model	LED Output ²	Luminous Flux ²	LED Wattage	System Wattage	CCT	CRI ³	Distribution
POLKADOT-F45-6W-3K	500Lm	450Lm	6W	8W	3000K	>83	30°
POLKADOT-F45-6W-4K	600Lm	480Lm	6W	8W	4000K	>83	30°

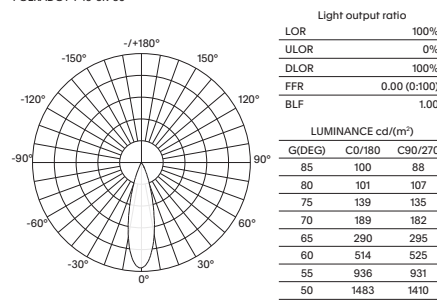
For Non-dimming add suffix ND
For DALI-2 dimming add suffix D
For BLUETOOTH dimming add suffix BT

Example product order code configuration: POLKADOT-F45-6W-3K-30-D-(WH/BK)

Model	Wattage	CCT	Distribution	Driver	Luminaire Finish / Baffle Finish
POLKADOT-F45	6W	3K	30	D	WH/BK

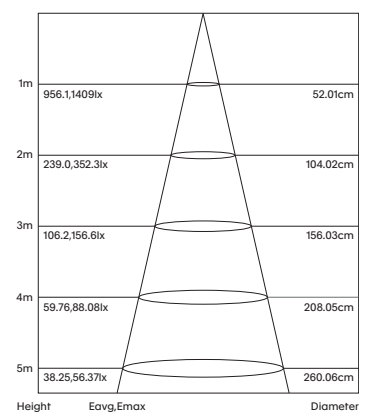
Light Distribution

POLKADOT-F45-3K-30



Room Reflectance	Utilisation Factors									
	Room Index									
Ceiling Walls Floor	0.80	1.00	1.25	1.5	2.00	2.50	3.00	4.00	5.00	
70 50 20	92	96	100	103	105	107	108	110	112	

Cone Diagram



1 Luminaire efficacy based on CCT 3000K; CCT variations will alter efficacy
2 +/- 10% stated initial LED and luminous flux tolerance
3 Colour Rendering Index: >83 Standard (Citizen SMD Series)
4 Charges apply for non-standard colour/s and dimming options
5 Five year manufacturer's warranty covering product defects and performance deficiencies