

Kuppel-F100

9W / 13W Fixed LED Recessed Downlight

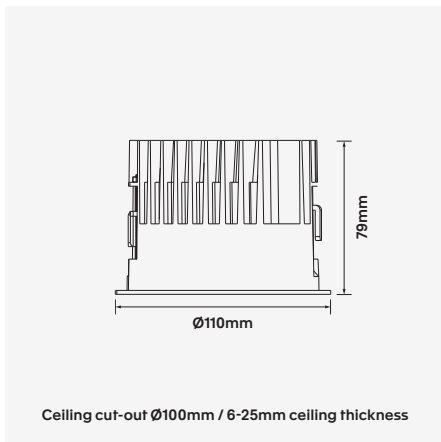


Luminaire Finishes

White (WH) Black (BK)

Interchangeable Baffle Finishes

White (WH) Black (BK) Matt (MT)



WATTAGE 9W / 13W
Ø 100
UGR <15
Bluetooth
Z
bati
CE
WARRANTY 5YR

3-Step
CRI (Ra) >90
30° / 50°
IP 54

Recessed LED architectural luminaire series providing optimised and efficient performance with an IP54 rating and deep-set lamp source for symmetrical low glare distribution. Available in a range of wattage/lumen packages, the Kuppel series also offers various dimming options with screw adjustable wing mounting for easy installation.

Made from a die-cast aluminium housing with an aluminum reflector, it is available in a variety of finishes. Integrating Zhaga compliant Citizen LED technology and coupled with Tridonic control gear, the Kuppel series offers a 5 year warranty.

- Luminaire wattage: 9W, 13W (System 11W, 15W)
- Luminous flux: 1000-1200Lm, 1300-1600Lm²
- Luminaire efficacy: 122.22Lm/W, 115.38Lm/W¹
- Correlated colour temperature: 3000K, 4000K
- Colour rendering index: >90³
- Mac-Adams Ellipse: 3-SDCM
- LED Brand: Citizen COB LED
- Glare control: UGR<15
- Symmetrical distribution: 30°, 50°
- Outer trim Ø110mm; Ceiling cut-out Ø100mm
- Ingress protection rating: IP54 standard (From underside)
- Luminaire finishes: White, Black
- Baffle Options: White, Black, Matt⁴
- Longevity: >50,000Hrs L80 B10
- Driver: Tridonic non-dimmable LED driver as standard
- Dimming: DALI-2, BLE (basicDIM Wireless / Casambi) on request⁴
- Weight: 390g (excluding driver)
- Warranty: 5 years⁵

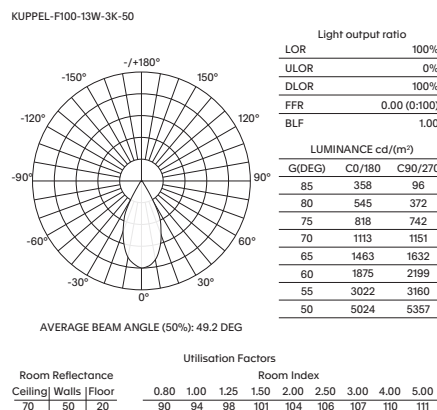
Model	LED Output ²	Luminous Flux ²	LED Wattage	System Wattage	CCT	CRI ³	Distribution
KUPPEL-F100-9W-3K-30	1300Lm	1100Lm	9W	11W	3000K	>90	30°
KUPPEL-F100-9W-4K-30	1400Lm	1200Lm	9W	11W	4000K	>90	30°
KUPPEL-F100-9W-3K-50	1300Lm	1000Lm	9W	11W	3000K	>90	50°
KUPPEL-F100-9W-4K-50	1400Lm	1100Lm	9W	11W	4000K	>90	50°
KUPPEL-F100-13W-3K-30	1800Lm	1500Lm	13W	15W	3000K	>90	30°
KUPPEL-F100-13W-4K-30	1900Lm	1600Lm	13W	15W	4000K	>90	30°
KUPPEL-F100-13W-3K-50	1800Lm	1300Lm	13W	15W	3000K	>90	50°
KUPPEL-F100-13W-4K-50	1900Lm	1400Lm	13W	15W	4000K	>90	50°

For Non-dimming add suffix ND
For DALI-2 dimming add suffix D
For BLUETOOTH dimming add suffix BT

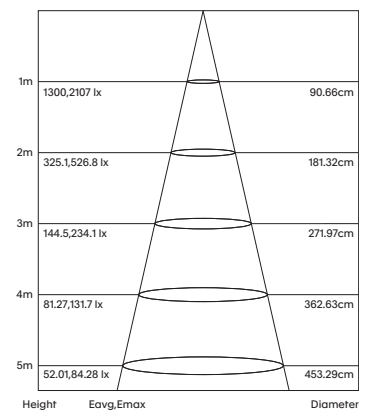
Example product order code configuration: KUPPEL-F100-13W-3K-50-D-(WH/WH)

Model	Wattage	CCT	Distribution	Driver	Luminaire Finish / Baffle Colour					
KUPPEL-F100	+	13W	+	3K	+	50	+	D	+	WH/WH

Light Distribution



Cone Diagram



1 Luminaire efficacy based on CCT 3000K; CCT variation will alter efficacy
2 +/- 10% stated initial LED and luminous flux tolerance
3 Colour Rendering Index: >90 Standard (Citizen COB series)
4 Charges apply for non-standard colour/s and dimming options
5 Five year manufacturer's warranty covering product defects and performance deficiencies