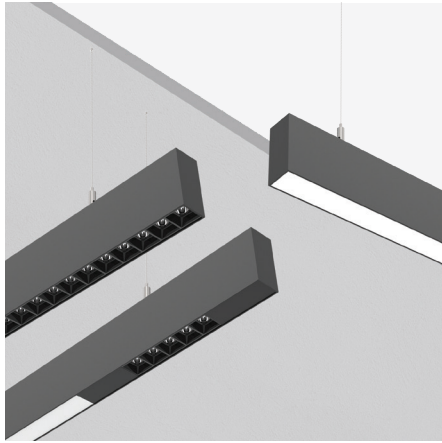


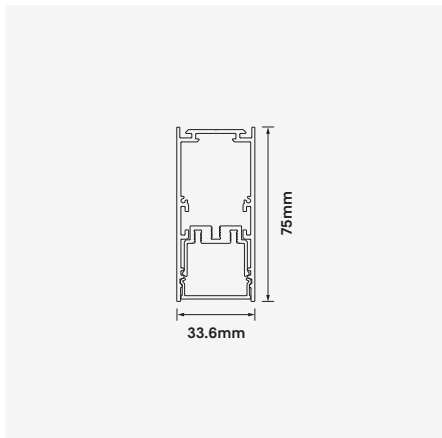
Morph-30-SUS

Suspended Mounted Linear LED Profile



Luminaire Finishes

- White (WH)
 Black (BK)
 Custom
 Silver (SV)



Diffuser options

Frost PMMA (FR)
Frosted Polymethyl Methacrylate



Accessories

5-Cell module (CELL)
15°, 30°, 45°



WATTAGE 11W-28W
 CRI (Ra) >85
 IP 44
 Bluetooth
 3-Step
 110°
 Suspended
 WARRANTY 5YR

Morph-30 LED linear lighting system is a configurable lighting system that uses customisable linear profiles, inserts and accessories to create unique application specific luminaires. The system gives engineers, designers and contractors the ability to create different lighting scenarios and environments in a single luminaire design. It is available as standard in a diffused zero dot LED PMMA diffuser for low visual glare. Low-glare cell modules can also be integrated into the system to provide a fixed light points to aid in task lighting or to create visual interest.

Regardless of the configuration Morph-30 can be wire or rod suspended for a range of applications. The Morph-30 integrates Vossloh Schwabe LEDs and controls, plus optional DALI-2 or Bluetooth dimming. Systems are backed by a 5 year warranty.

- Luminaire wattage/m: 11W, 19W, 28W (System 13W, 22W, 32W)
- Luminous flux/m: 1068-1138Lm, 1735-1892Lm, 2380-2574Lm²
- Luminaire efficacy/m: 87.54Lm/W, 86.0Lm/W, 80.44Lm/W¹
- LED working current: 150mA, 250mA, 350mA
- Correlated colour temperature: 3000K, 4000K, 5000K
- Colour rendering index: >85³
- Mac-Adams Ellipse: 3-SDCM
- LED Brand: Vossloh-Schwabe (Nichia SMD)
- LED mounting: Zhaga compliant mounting
- Longevity: >72,000Hrs L80 B10
- Diffuser options: Opal PMMA
- Distribution: 110° opal diffuser
- Ingress protection rating: IP44
- Luminaire finish: White, Black, Silver, Custom⁴
- Luminaire dimensions: Width 33.6mm x Height 75mm
- Driver: Non-Dimmable Vossloh-Schwabe LED driver as standard
- Dimming: DALI-2, BLE (Casambi) on request⁴
- Accessories: 5-Cell modules⁴
- Weight/m: 2.0kg (inc. non-dimmable driver)
- Warranty: 5 years⁵

Model	LED Output/m ²	Luminous Flux/m ²	LED Wattage/m	System Wattage/m	CCT	CRI ³	Distribution	Current
MORPH-30-X-11W-3K	2135Lm	1068Lm	11W	13W	3000K	>85	110°	150mA
MORPH-30-X-11W-4K	2275Lm	1138Lm	11W	13W	4000K	>85	110°	150mA
MORPH-30-X-11W-5K	2275Lm	1138Lm	11W	13W	5000K	>85	110°	150mA
MORPH-30-X-19W-3K	3465Lm	1735Lm	19W	22W	3000K	>85	110°	250mA
MORPH-30-X-19W-4K	3710Lm	1892Lm	19W	22W	4000K	>85	110°	250mA
MORPH-30-X-19W-5K	3710Lm	1892Lm	19W	22W	5000K	>85	110°	250mA
MORPH-30-X-28W-3K	4760Lm	2380Lm	28W	32W	3000K	>85	110°	350mA
MORPH-30-X-28W-4K	5110Lm	2574Lm	28W	32W	4000K	>85	110°	350mA
MORPH-30-X-28W-5K	5110Lm	2574Lm	28W	32W	5000K	>85	110°	350mA

For Non-dimming add suffix ND
For DALI-2 dimming add suffix D
For BLUETOOTH dimming add suffix BT

Replace X with WSUS for wire suspension
Replace X with RSUS for rod suspension

Example product order code configuration: MOPRH-30-WSUS-11W-4K-D-(WH/FR)

Model	Suspension type	Wattage/m	CCT	Driver	Luminaire Finish / Diffuser
MORPH-30	+ WSUS	+ 11W	+ 4K	+ D	+ WH/FR

1 Luminaire efficacy based on CCT 4000K; CCT variation will alter efficacy
 2 +/- 10% stated initial LED and luminous flux tolerance
 3 Colour Rendering Index; >85 Standard (Nichia SMD LED series)
 4 Charges apply for non-standard colour/s, Ra and dimming options and custom cuts and configurations
 5 Five year manufacturer's warranty covering product defects and performance deficiencies

Morph-30-SUS

Suspended Mounted Linear LED Profile

Accessories (Continued)

Wire Suspension Kit (WSUS)
Part No: SUSKIT-3M-SIL
Colour: Silver
Length: 3m Adjustable



Wire Suspension Kit (WSUS)
Part No: SUSKIT-3M-BLK
Colour: Black
Length: 3m Adjustable



Rod Suspension Kit (RSUS)
Part No: ROD-SUS-KIT-1M-WHT
Colour: White
Length: 1m Adjustable

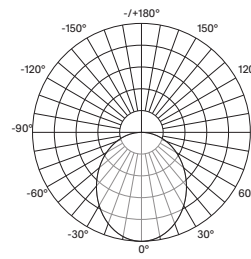


Rod Suspension Kit (RSUS)
Part No: ROD-SUS-KIT-1M-BLK
Colour: Black
Length: 1m Adjustable



Light Distribution

MORPH-30-28W-4K



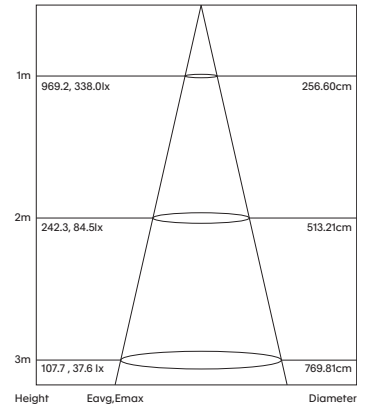
AVERAGE BEAM ANGLE (50%): 78.5 DEG

Light output ratio	
LOR	100%
ULOR	0%
DLOR	100%
FFR	0.00 (0:100)
BLF	1.00

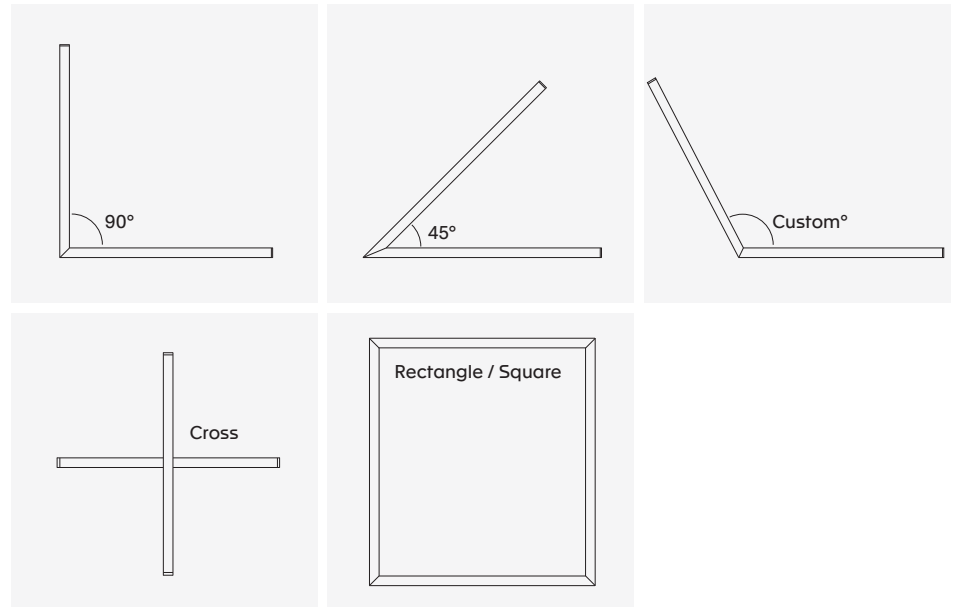
LUMINANCE cd/(m²)		
G(DEG)	C0/180	C90/270
85	9016	13550
80	12636	14723
75	14392	16142
70	15742	17518
65	16904	18681
60	18045	19732
55	19072	20711
50	20055	21592
45	21028	22438

Room Reflectance		Utilisation Factors									
Ceiling	Walls	Room Index									
70	50	0.80	1.00	1.25	1.50	2.00	2.50	3.00	4.00	5.00	
		53	62	70	75	83	88	92	97	100	

Cone Diagram



Custom profile configuration⁴



1 Luminaire efficacy based on CCT 4000K; CCT variation will alter efficacy
 2 +/- 10% stated initial LED and luminous flux tolerance
 3 Colour Rendering Index; >85 Standard (Nichia SMD LED series)
 4 Charges apply for non-standard colour/s, Ra and dimming options and custom cuts and configurations
 5 Five year manufacturer's warranty covering product defects and performance deficiencies