

## Bobo-F65

### 10W Fixed LED Recessed Downlight

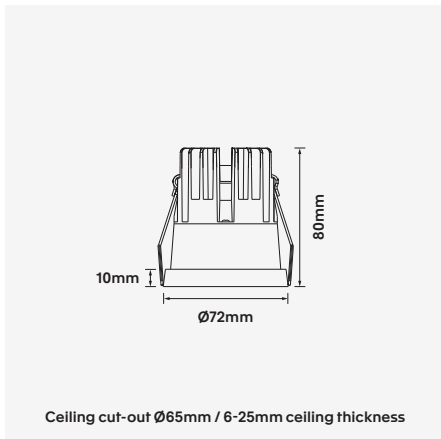


Luminaire Finishes

White (WH)  Black (BK)

Baffle Finishes

White (WH)  Black (BK)  Silver (SV)  
 Gold (GD)  Rose Gold (RG)  Red (RD)



WATTAGE 10W
Ø 65
UGR <19
Bluetooth
Z
CE
WARRANTY 5YR

3-Step
CRI (Ra) >90
15° / 25° / 38° / 50°
IP 40

Bobo-F65 is a deep-set, low glare recessed LED luminaire with a unique trim design that extends slightly below the ceiling line providing a unique delicate look. Available in a range of beam angles and baffle colours, it is made of high quality materials including a die-cast aluminium housing and a high quality optic lens.

Bobo's simple and efficient design allows for ease of maintenance and adaptability. It has been purpose built for various residential, hotel and commercial applications. Integrating Zhaga compliant Bridgelux LED technology and non-dimmable, DALI-2 or BLE dimming options. Bobo-F65 offers a 5 year warranty.

- Luminaire wattage: 10W (System 11W)
- Luminous flux: 797-868Lm<sup>2</sup>
- Luminaire efficacy: 82.6Lm/W<sup>1</sup>
- Correlated colour temperature: 2700K, 3000K, 4000K
- Colour rendering index: >90<sup>3</sup>
- Mac-Adams Ellipse: 3-SDCM
- LED Brand: Bridgelux COB LED
- Glare control: UGR<19
- Symmetrical distribution: 15°, 25°, 38°, 50°
- Outer trim Ø72mm; Ceiling cut-out Ø65mm
- Ingress protection rating: IP44 (from underside)
- Luminaire finishes: White, Black
- Baffle Options: White, Black, Silver, Gold, Rose Gold, Red
- Longevity: >50,000Hrs L80 B10
- Driver: Tridonic non-dimmable LED driver as standard
- Dimming: DALI-2, BLE (basicDIM Wireless / Casambi) on request<sup>4</sup>
- Weight: 250g (excluding driver)
- Warranty: 5 years<sup>5</sup>

| Model            | LED Output <sup>2</sup> | Luminous Flux <sup>2</sup> | LED Wattage | System Wattage | CCT   | CRI <sup>3</sup> | Distribution       |
|------------------|-------------------------|----------------------------|-------------|----------------|-------|------------------|--------------------|
| BOBO-F65-10W-27K | 1190Lm                  | 797Lm                      | 10W         | 10.5W          | 2700K | >90              | 15°, 25°, 38°, 50° |
| BOBO-F65-10W-3K  | 1290Lm                  | 826Lm                      | 10W         | 10.5W          | 3000K | >90              | 15°, 25°, 38°, 50° |
| BOBO-F65-10W-4K  | 1310Lm                  | 868Lm                      | 10W         | 10.5W          | 4000K | >90              | 15°, 25°, 38°, 50° |

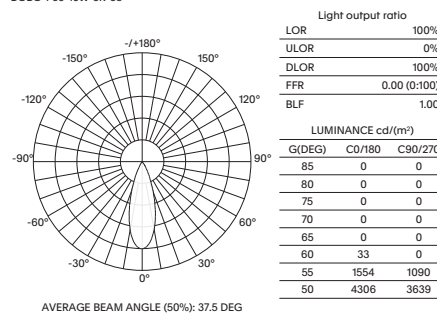
For Non-dimming add suffix ND  
 For DALI-2 dimming add suffix D  
 For BLUETOOTH dimming add suffix BT

Example product order code configuration: BOBO-F65-10W-3K-38-D-(WH/BK)

| Model    | Wattage | CCT | Distribution | Driver | Luminaire Finish / Baffle Finish |    |   |   |   |       |
|----------|---------|-----|--------------|--------|----------------------------------|----|---|---|---|-------|
| BOBO-F65 | +       | 10W | +            | 3K     | +                                | 38 | + | D | + | WH/BK |

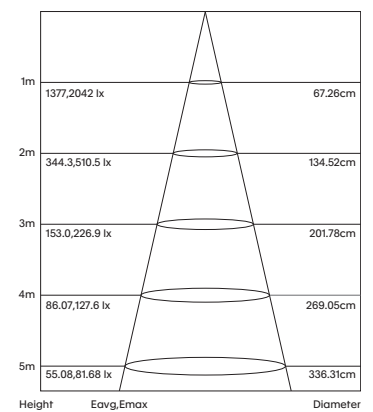
#### Light Distribution

BOBO-F65-10W-3K-38



| Room Reflectance |       | Utilisation Factors |            |      |      |      |      |      |     |     |     |  |  |  |
|------------------|-------|---------------------|------------|------|------|------|------|------|-----|-----|-----|--|--|--|
| Ceiling          | Walls | Floor               | Room Index |      |      |      |      |      |     |     |     |  |  |  |
| 0.80             | 1.00  | 1.25                | 1.5        | 2.00 | 2.50 | 3.00 | 4.00 | 5.00 |     |     |     |  |  |  |
| 70               | 50    | 20                  | 92         | 96   | 100  | 103  | 105  | 107  | 108 | 110 | 112 |  |  |  |

#### Cone Diagram



1 Luminaire efficacy based on CCT 3000K; CCT variations will alter efficacy  
 2 +/- 10% stated initial LED and luminous flux tolerance  
 3 Colour Rendering Index: >90 Standard (Bridgelux COB Series)  
 4 Additional charges apply for non-standard colour/s and dimming options  
 5 Five year manufacturer's warranty covering product defects and performance deficiencies