

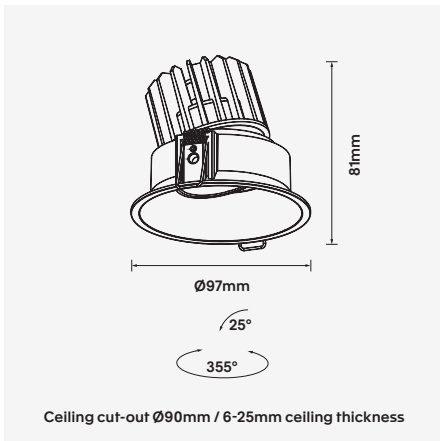
Nova-A90

10W Adjustable LED Recessed Downlight



Luminaire Finishes

White (WH) Black (BK)



WATTAGE 10W
Ø90
UGR <19
Bluetooth
Z
CE
WARRANTY 5YR

3-Step
CRI (Ra) >92
355° 25°
IP 54
MAINS DIM

LED ceiling recessed luminaire providing symmetrical, low-glare light distribution. Nova-A90 downlight offers optimised performance with a high colour rendering index as standard in a minimal designed housing. The Nova-A90 is high powered and compact, suitable for a range of applications including residential and commercial spaces. A deep-set lamp source ensures optimal glare free performance across a variety of general indoor applications.

Nova utilises Zhaga compliant CREE COB technology. With a standard mains dimmable LED driver with a selection of DALI-2 and Bluetooth (Casambi) dimming options on request. Nova offers a 5 year warranty.

- Luminaire wattage: 8.7W (System 10W)
- Luminous flux: 890-1007Lm²
- Luminaire efficacy: 87Lm/W¹
- Correlated colour temperature: 3000K, 4000K; 2700K Optional
- Colour rendering index: >92³
- Mac-Adams Ellipse: 3-SDCM
- LED Brand: CREE COB LED
- Glare control: UGR<19
- Symmetrical distribution: 24°, 36°, 60°
- Outer trim Ø97mm; Ceiling cut-out Ø90m
- Adjustability: ±25° Tilt, 355° Rotatable
- Ingress protection rating: IP54 standard (From underside)
- Luminaire finishes: White, Black
- Longevity: >50,000Hrs L80 B10
- Driver: Mains dimmable LED driver as standard
- DALI-2, BLE (basicDIM Wireless / Casambi) on request⁴
- Weight: 243g (excluding driver)
- Warranty: 5 years⁵

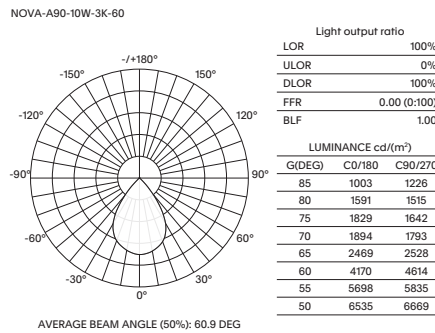
Model	LED Output ²	Luminous Flux ²	LED Wattage	System Wattage	CCT	CRI ³	Distribution
NOVA-A90-10W-27K	1124Lm	890Lm	8.7W	10W	2700K	>92	24°, 36°, 60°
NOVA-A90-10W-3K	1195Lm	947Lm	8.7W	10W	3000K	>92	24°, 36°, 60°
NOVA-A90-10W-4K	1267Lm	1007Lm	8.7W	10W	4000K	>92	24°, 36°, 60°

For Mains dimming add suffix MD
For DALI-2 dimming add suffix D
For BLUETOOTH dimming add suffix BT

Example product order code configuration: NOVA-A90-10W-3K-60-D-WH

Model	Wattage	CCT	Distribution	Driver	Luminaire Finish					
NOVA-A90	+	10W	+	3K	+	60	+	D	+	WH

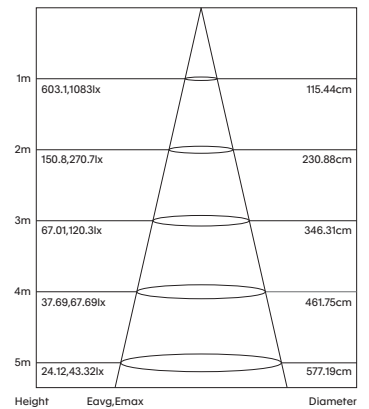
Light Distribution



Utilisation Factors

Room Reflectance	Room Index									
Ceiling Walls Floor	0.80	1.00	1.25	1.5	2.00	2.50	3.00	4.00	5.00	
70 50 20	86	91	95	99	102	104	106	108	110	

Cone Diagram



1 Luminaire efficacy based on CCT 3000K; CCT variation will alter efficacy
2 +/- 10% stated initial LED and luminous flux tolerance
3 Colour Rendering Index: >90 Standard (CREE COB Series)
4 Additional charges apply for non-standard colour/s and dimming options
5 Five year manufacturer's warranty covering product defects and performance deficiencies