

Point-F35

3W Fixed LED Mini Recessed Downlight

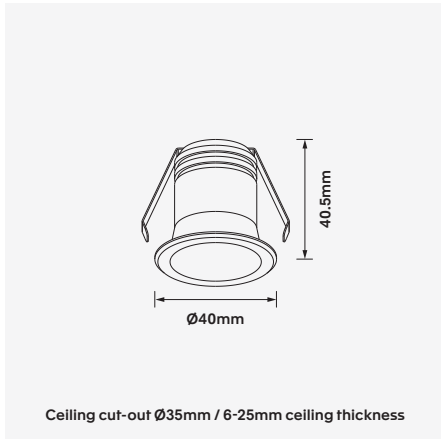


Luminaire Finishes

White (WH) Black (BK)

Baffle Finishes

White (WH) Black (BK) Silver (SV)
 Gold (GD) Red (RD) Custom



WATTAGE 3W
Ø 35
20°
UGR <19
CRI (Ra) >90
WARRANTY 5YR

3-Step
IP 20

Mini recessed LED architectural luminaire series providing low-glare illumination with a deep-set light source. The Point is a simple and minimal luminaire designed to accentuate features with a tight spot light effect. Applications include corridors, cabinets, kitchens or niches where a discrete luminaire is required.

Offered in a multitude of colours to suit almost any décor and manufactured from machined aluminium while utilising an industry leading Osram SMD LED. The Point-F35 offers a 5 year warranty.

- Luminaire wattage: 3W (System 3.3W)
- Luminous flux: 160-205Lm²
- Luminaire efficacy: 55.06Lm/W¹
- Correlated colour temperature: 2700K, 3000K, 4000K
- Colour rendering index: >90³
- Mac-Adams Ellipse: 3-SDCM
- LED Brand: Osram SMD LED
- Glare control: UGR<19
- Symmetrical distribution: 20°
- Outer trim Ø40mm; Ceiling cut-out Ø35mm
- Ingress protection rating: IP20
- Luminaire finishes: White, Black
- Baffle Options: White, Black, Silver, Gold, Red, Custom⁴
- Longevity: >50,000Hrs L80 B10
- Driver: Non-dimmable LED driver as standard
- Dimming: DALI-2 on request⁴
- Weight: 60g (excluding driver)
- Warranty: 5 years⁵

Model	LED Output ²	Luminous Flux ²	LED Wattage	System Wattage	CCT	CRI ³	Distribution
POINT-F35-3W-27K	336Lm	160Lm	3W	3.3W	2700K	>90	20°
POINT-F35-3W-3K	336Lm	175Lm	3W	3.3W	3000K	>90	20°
POINT-F35-3W-4K	363Lm	205Lm	3W	3.3W	4000K	>90	20°

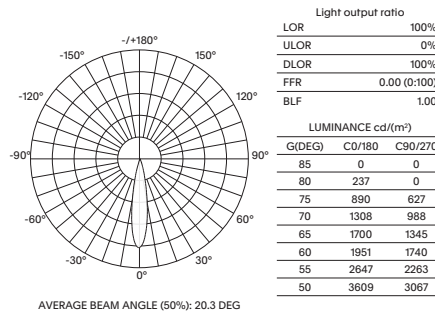
For Non dimming add suffix ND
For DALI-2 dimming add suffix D

Example product order code configuration: POINT-F35-3W-3K-20-D-(WH/BK)

Model	Wattage	CCT	Distribution	Driver	Luminaire Finish / Baffle Finish					
POINT-F35	+	3W	+	3K	+	20	+	D	+	WH/BK

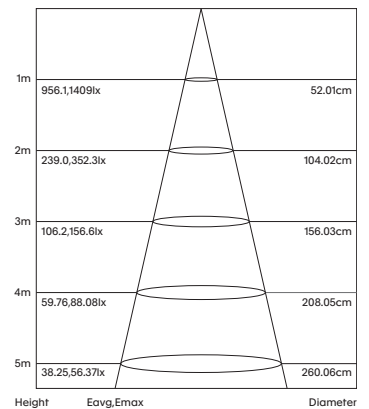
Light Distribution

POINT-F35-3K-20



Room Reflectance		Utilisation Factors									
Ceiling	Walls Floor	Room Index									
70	50 20	0.80	1.00	1.25	1.5	2.00	2.50	3.00	4.00	5.00	
		91	95	99	102	105	106	108	110	112	

Cone Diagram



1 Luminaire efficacy based on CCT 3000K; CCT variations will alter efficacy
 2 +/- 10% stated initial LED and luminous flux tolerance
 3 Colour Rendering Index: >90 Standard (Osram SMD Series)
 4 Charges apply for non-standard colour/s and dimming options
 5 Five year manufacturer's warranty covering product defects and performance deficiencies