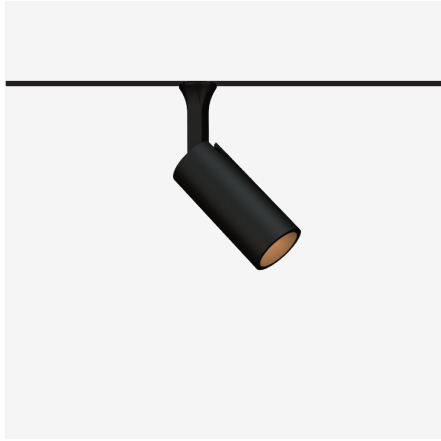


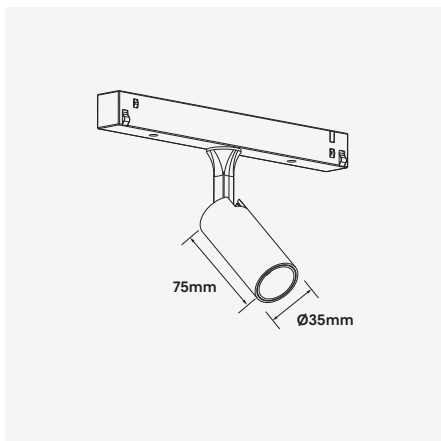
Mojo-1

5W Single Round 48VDC LED Track Luminaire



Luminaire Finishes

Black (BK) White/Black (WH/BK)



WATTAGE 5W
355° 90°
3-Step
Bluetooth
WARRANTY 5YR

VOLTAGE 48VDC
15° / 24° / 33°
CRI (Ra) >90
IP 20
Track

A 48VDC low voltage track system is synonymous with electrical safety, permitting greater flexibility and ease of use including installation. The luminaire can be installed and moved to any position without the need for turning off the power to the track. This is due to its low voltage input of 48VDC. No tools are required, the luminaires simply snap-lock into position, remaining in place until you want to remove or re-position the luminaire.

The elegant and minimalist design permits a range of micro luminaires ranging from spots, pendants and linear sources with many features. The system features simple on/off operation with additional dimming options to suit a number of protocols such as DALI or Bluetooth dimming. The system is designed to suit applications from residential through to retail and commercial. The Mojo-1 is covered by a 5 year warranty.

- Luminaire wattage: 5W (System)
- Luminous flux: 395.19Lm²
- Luminaire efficacy: 79.04Lm/W¹
- Correlated colour temperature: 2700K, 3000K, 4000K
- Colour rendering index: >90³
- 3-Step-MacAdams Ellipse
- LED Brand: Citizen COB LED
- Optical distribution: 15°, 24°, 33°
- Ø35mm Trim x 75mm Depth
- Luminaire finishes: Black, White/Black
- Ingress protection rating: IP20
- Working voltage: 48VDC constant voltage
- Flicker free DC-DC internal driver
- Longevity: >50,000Hrs L90 B10
- Requires 48VDC remote driver and Track-System
- Dimming: DALI-2, BLE (Casambi) on request⁴
- Weight: 130g
- Warranty: 5 year⁵

Model	LED Output ²	Luminous Flux ²	System Wattage	CCT	CRI ³	Distribution
MOJO-1-5W-3K	510Lm	395.19Lm	5W	3000K	>90	15°, 24°, 33°

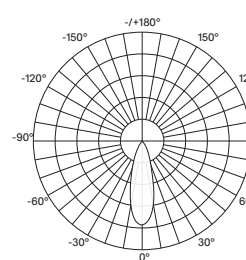
For Non-dimming add suffix ND
For DALI-2 dimming add suffix D
For BLUETOOTH dimming add suffix BT

Example product order code configuration: MOJO-1-5W-3K-24-ND-(BK)

Model	Wattage	CCT	Distribution	Driver	Luminaire Finish
MOJO-1	5W	3K	24	ND	BK

Light Distribution

MOJO-1-5W-3K-33

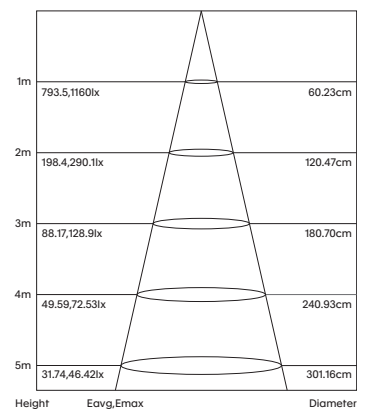


Light output ratio	
LOR	100%
ULOR	0%
DLOR	100%
FFR	0.00 (0:100)
BLF	1.00

LUMINANCE cd/(m ²)		
G(DEG)	C0/180	C90/270
85	24	0
80	24	0
75	40	0
70	79	12
65	354	231
60	610	543
55	991	898
50	1636	1482

Room Reflectance		Utilisation Factors												
Ceiling	Walls	Floor	Room Index											
0.80	1.00	1.25	1.50	2.00	2.50	3.00	4.00	5.00						
70	50	20	92	96	100	102	105	106	108	110	112			

Cone Diagram



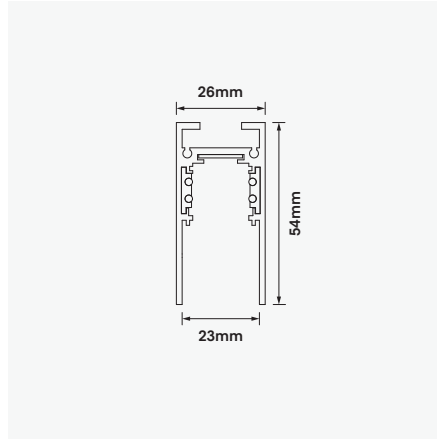
1 Luminaire efficacy based on CCT 3000K; CCT variation will alter efficacy
 2 +/- 10% stated initial LED and luminous flux tolerance
 3 Colour Rendering Index: >90 Standard (Citizen COB Series)
 4 Additional charges apply for non-standard colour/s and dimming options
 5 Five year manufacturer's warranty covering product defects and performance deficiencies

Mojo-1

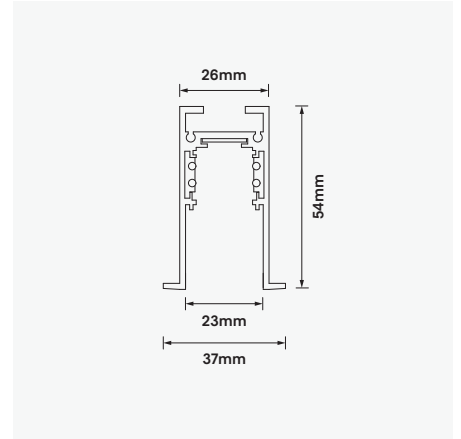
5W Single Round 48VDC LED Track Luminaire

48VDC TRACK-SYSTEM track options

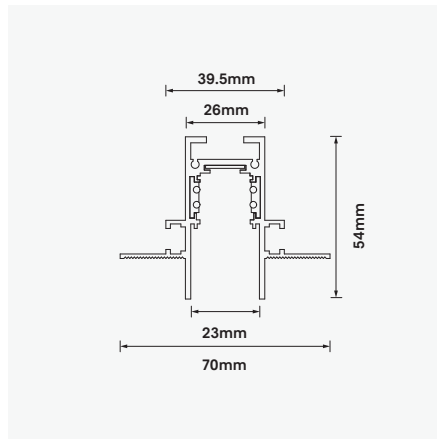
Surface / Suspended Track
Product No: TR-SM26
Colour: Black
Size: W26mm x H54mm



Recessed Track
Product No: TR-REC26
Colour: Black
Size: W37mm x H54mm



Recessed Trimless Track
Product No: TR-TL26
Colour: Black
Size: W70mm x H54mm



- 1 Luminaire efficacy based on CCT 3000K; CCT variation will alter efficacy
- 2 +/- 10% stated initial LED and luminous flux tolerance
- 3 Colour Rendering Index: >90 Standard (Citizen COB Series)
- 4 Additional charges apply for non-standard colour/s and dimming options
- 5 Five year manufacturer's warranty covering product defects and performance deficiencies