

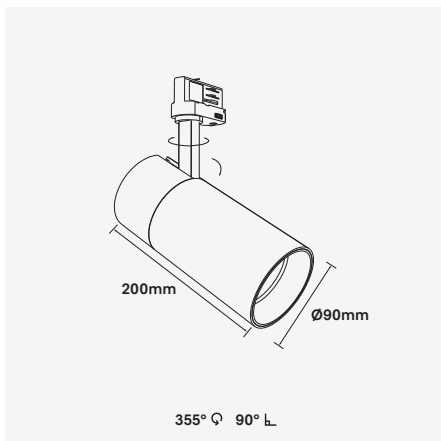
## Siena-TR90

### 25W Single Round LED Track Luminaire



Luminaire Finishes

Black (BK) White/Black (WH/BK)



#### Accessories

SIENA-HC-D90  
Honeycomb mesh



WATTAGE 25W	355° 90°	3-Step	Bluetooth	CE	WARRANTY 5YR
VOLTAGE 240VAC	18° / 30° / 45°	CRI (Ra) >90	IP 20	Track	

LED track mounted architectural luminaire series providing symmetrical, versatile, low-glare light distribution. With a minimal design and high quality componentry in a compact housing, it is available in a range of correlated colour temperatures. Suitable for a range of applications from residential, retail spaces, office and commercial fit-outs.

Siena also offers various dimming options from DALI-2 through to the latest in Bluetooth wireless technology. Die-cast aluminium construction for optimal thermal dissipation and precision formed optics with a range of distributions. Integrating Zhaga compliant Citizen LED technology with industry leading driver technology, Siena offers a 5 year warranty.

- Luminaire wattage: 25W (System 28W)
- Luminous flux: 2656-2921Lm<sup>2</sup>
- Luminaire efficacy: 96.18Lm/W<sup>1</sup>
- Correlated colour temperature: 3000K, 4000K
- Colour rendering index: >90<sup>3</sup>
- 3-Step-MacAdams Ellipse
- LED Brand: Citizen COB LED
- Optical distribution: 18°, 30°, 45°
- Ø90mm Trim x 200mm Length
- Luminaire finishes: Black, White/Black
- Ingress protection rating: IP20
- Longevity: >50,000Hrs L80 B10
- Requires 3-Circuit track system<sup>4</sup>
- 3-Circuit Track adaptor as standard
- Dimming: DALI-2, BLE (Casambi) on request<sup>4</sup>
- Weight: 1.12kg (excluding driver)
- Warranty: 5 year<sup>5</sup>

Model	LED Output <sup>2</sup>	Luminous Flux <sup>2</sup>	LED Wattage	System Wattage	CCT	CRI <sup>3</sup>	Distribution
SIENA-TR90-25W-3K-18	3400Lm	2656Lm	25W	28W	3000K	>90	18°
SIENA-TR90-25W-4K-18	3600Lm	2797Lm	25W	28W	4000K	>90	18°
SIENA-TR90-25W-3K-30	3400Lm	2748Lm	25W	28W	3000K	>90	30°
SIENA-TR90-25W-4K-30	3600Lm	2921Lm	25W	28W	4000K	>90	30°
SIENA-TR90-25W-3K-45	3400Lm	2693Lm	25W	28W	3000K	>90	45°
SIENA-TR90-25W-4K-45	3600Lm	2872Lm	25W	28W	4000K	>90	45°

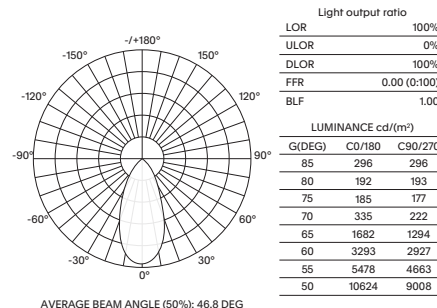
For Non-dimming add suffix ND  
For DALI-2 dimming add suffix D  
For BLUETOOTH dimming add suffix BT

Example product order code configuration: SIENA-TR90-25W-3K-30-ND-(BK)

Model	Wattage	CCT	Distribution	Driver	Luminaire Finish
SIENA-TR90	25W	3K	30	ND	BK

#### Light Distribution

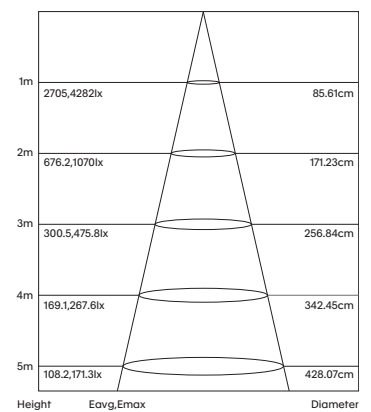
SIENA-TR90-25W-3K-45



Utilisation Factors

Room Reflectance	Room Index									
Ceiling   Walls   Floor	0.80	1.00	1.25	1.50	2.00	2.50	3.00	4.00	5.00	
70   50   20	90	94	98	101	104	106	107	110	111	

#### Cone Diagram



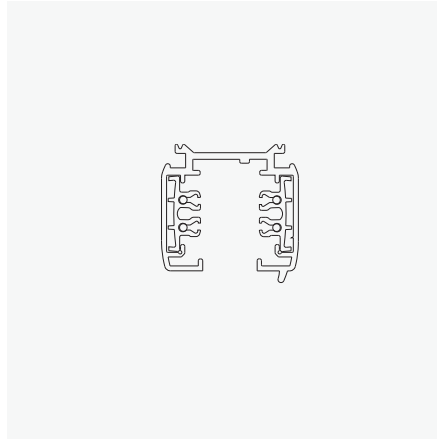
1 Luminaire efficacy based on CCT 3000K; CCT variation will alter efficacy  
2 +/- 10% stated initial LED and luminous flux tolerance  
3 Colour Rendering Index: >90 Standard (Citizen COB Series)  
4 Charges apply for non-standard colour/s, 3-circuit track and dimming options  
5 Five year manufacturer's warranty covering product defects and performance deficiencies

## Siena-TR90

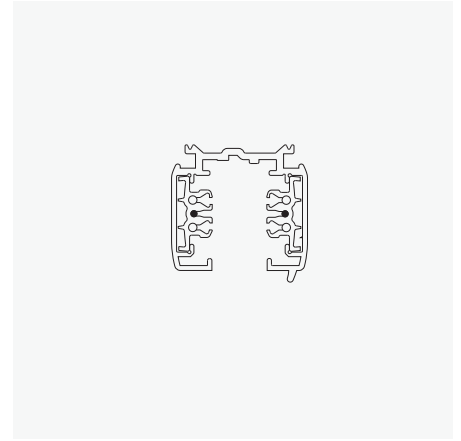
### 25W Single Round LED Track Luminaire

#### 240VAC TRACK-SYSTEM track options

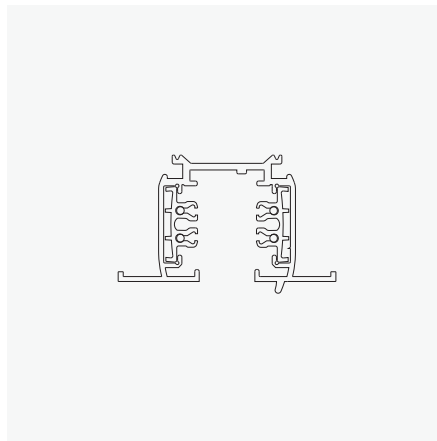
3-Circuit Surface Track  
Product No: PRO-TRK-SM-3C  
Colour: White, Black, Silver  
Size: W35.2 x H32.5mm



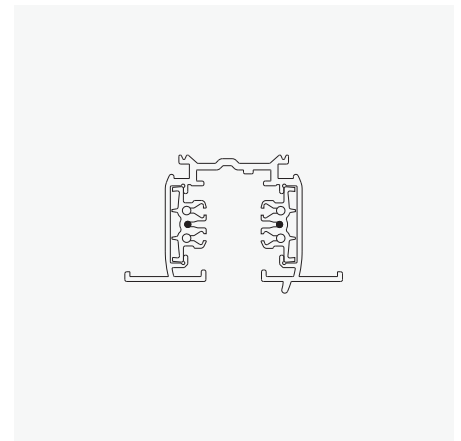
3-Circuit Surface DALI Track  
Product No: PRO-TRK-SM-3C-D  
Colour: White, Black, Silver  
Size: W35.2 x H32.5mm



3-Circuit Recessed Track  
Product No: PRO-TRK-REC-3C  
Colour: White, Black, Silver  
Size: W56 x 35.5mm



3-Circuit Recessed DALI Track  
Product No: PRO-TRK-REC-3C-D  
Colour: White, Black, Silver  
Size: W56 x 35.5mm



- 1 Luminaire efficacy based on CCT 3000K; CCT variation will alter efficacy
- 2 +/- 10% stated initial LED and luminous flux tolerance
- 3 Colour Rendering Index: >90 Standard (Citizen COB Series)
- 4 Charges apply for non-standard colour/s, 3-circuit track and dimming options
- 5 Five year manufacturer's warranty covering product defects and performance deficiencies