

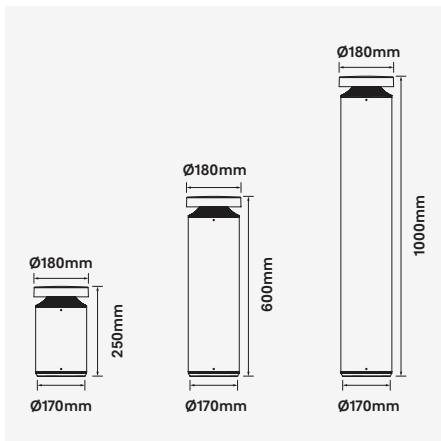
## Icon-BL

### 12W / 24W Round Landscape Bollard



Luminaire Finishes

Black (BK) Silver (SV)



WATTAGE 12W /24W
Ø180
360°
IK 08
IP 65
WARRANTY 5YR

3-Step
CRI (Ra) >80
Low Glare
Surface

A surface mounted LED architectural bollard featuring an indirect light source for symmetrical low-glare distribution. IP65 and IK08 impact rated, it is suitable for a range of applications including carparks, schools, hospitals and commercial spaces. The Icon-BL is available in three sizes and two wattages.

Manufactured from extruded 6063AL aluminium with a polyester powder coating for exceptional durability and superior corrosion resistance. Icon offers a 5 year warranty.

- Luminaire wattage: 12W, 24W (System)
- Luminous flux: 490Lm, 1124Lm<sup>2</sup>
- Luminaire efficacy: 40.83Lm/W, 46.83Lm/W<sup>1</sup>
- Correlated colour temperature: 3000K, 4000K
- Colour rendering index: >80<sup>3</sup>
- Mac-Adams Ellipse: 3-SDCM
- Direct light output ratio (LOR): 100%
- Upward light output ratio (ULOR): 0.0%
- Symmetrical distribution: 360°
- Outer Ø180mm x Height 250mm, 600mm, 1000mm
- Ingress protection rating: IP65
- Impact protection rating: IK08
- Luminaire finishes: Black, Silver
- Longevity: >50,000 L70 B50
- Driver: Non-dimmable as standard
- Dimming: DALI-2 on request<sup>4</sup>
- Weight: 2.45Kg (250mm), 3.8Kg (600mm), 5.35Kg (1000mm)
- Warranty: 5 years<sup>5</sup>

Model	LED Output <sup>2</sup>	Luminous Flux <sup>2</sup>	System Wattage	CCT	CRI <sup>3</sup>	Distribution
ICON-BLX-12W-3K	625Lm	480Lm	12W	3000K	>80	360°
ICON-BLX-12W-4K	637Lm	490Lm	12W	4000K	>80	360°
ICON-BLX-24W-3K	1435Lm	1100Lm	24W	3000K	>80	360°
ICON-BLX-24W-4K	1461Lm	1124Lm	24W	4000K	>80	360°

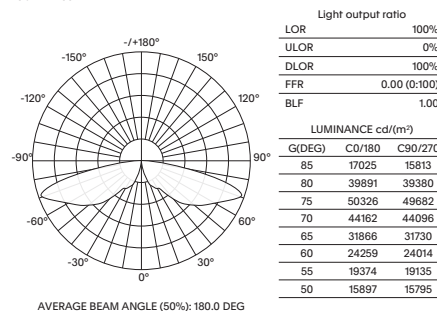
Replace X  
For Non-dimming add suffix ND  
For DALI-2 dimming add suffix D  
For 250mm length add 025  
For 600mm length add 060  
For 1000mm length add 100

Example product order code configuration: ICON-BL100-24W-4K-360-ND-(BK)

Model	Wattage	CCT	Distribution	Driver	Luminaire Finish
ICON-BL100	24W	4K	360	ND	BK

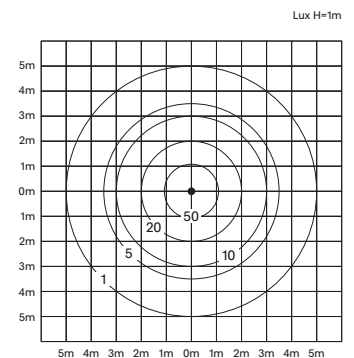
#### Light Distribution

ICON-BL100-24W-4K



Room Reflectance	Utilisation Factors									
	Room Index									
Ceiling   Walls   Floor	0.80	1.00	1.25	1.50	2.00	2.50	3.00	4.00	5.00	
70   50   20	34	41	49	56	66	74	80	88	93	

#### Cone Diagram



1 Luminaire efficacy based on CCT 4000K; CCT variation will alter efficacy  
2 +/- 10% stated initial LED and luminous flux tolerance  
3 Colour Rendering Index: >80 standard (Samsung SMD Series)  
4 Additional charges apply for non-standard colour/s and dimming options  
5 Five year manufacturer's warranty covering products defects and performance deficiencies