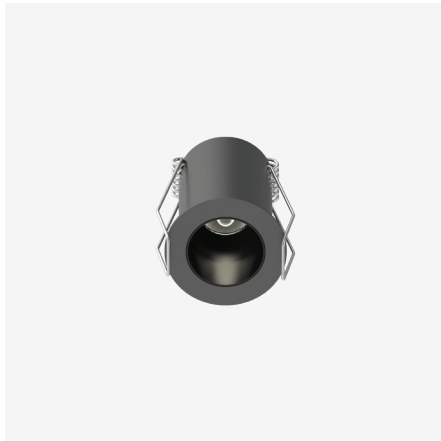


Polkadot-F35

1.5W Fixed LED Mini Recessed Downlight

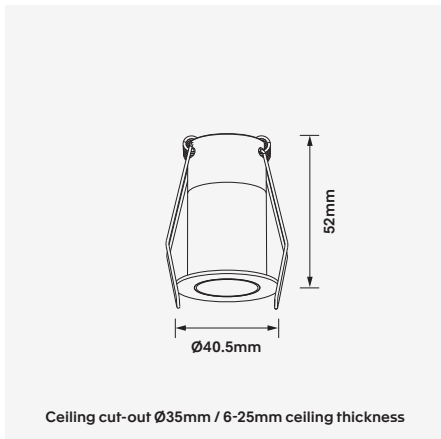


Luminaire Finishes

White (WH) Black (BK)

Interchangeable Baffle Finishes

White (WH) Black (BK) Silver (SV)
 Gold (GD) Custom



WATTAGE 1.5W
Ø 35
18° / 30°
UGR <19
Z
backlit
CE
WARRANTY 5YR

3-Step
CRI (Ra) >83
IP 44

Minimal micro recessed LED architectural luminaire series providing ultra-low-glare and visual comfort with its deep set light source. Even and smooth illuminance with a range of optical distributions and wattages to suit different applications from accent lighting to spot lighting of an object.

The Polkadot works equally well in hotel applications where a minimal and simple look is required. Interchangeable internal baffles and exterior frame colours enable the Polkadot to blend in with its surrounds or stand out as a statement piece.

Polkadot also offers a range of dimming options and is made from a die-cast aluminium housing, aluminium reflector and high-grade polycarbonate secondary reflectors. Integrating world leading brands such as Osram Technology, the Polkadot comes with a 5 year warranty.

- Luminaire wattage: 1.5W (System 2.5W)
- Luminous flux: 110-120Lm²
- Luminaire efficacy: 44Lm/W¹
- Correlated colour temperature: 3000K, 4000K
- Colour rendering index: >83³
- Mac-Adams Ellipse: 3-SDCM
- LED Brand: Osram SMD
- Glare control: UGR<19
- Symmetrical distribution: 18°, 30°
- Outer trim Ø40.5mm; Ceiling cut-out Ø35mm
- Ingress protection rating: IP44 (From underside)
- Luminaire finishes: White, Black
- Baffle Options: White, Black, Silver, Gold, Custom⁴
- Longevity: >50,000Hrs L80 B10
- Driver: Non-dimmable LED driver as standard
- Dimming: DALI-2 on request⁴
- Weight: 70g (excluding driver)
- Warranty: 5 years⁵

Model	LED Output ²	Luminous Flux ²	LED Wattage	System Wattage	CCT	CRI ³	Distribution
POLKADOT-F35-1.5W-3K-18	150Lm	110Lm	1.5W	2.5W	3000K	>83	18°
POLKADOT-F35-1.5W-4K-18	160Lm	120Lm	1.5W	2.5W	4000K	>83	18°
POLKADOT-F35-1.5W-3K-30	150Lm	110Lm	1.5W	2.5W	3000K	>83	30°
POLKADOT-F35-1.5W-4K-30	160Lm	120Lm	1.5W	2.5W	4000K	>83	30°

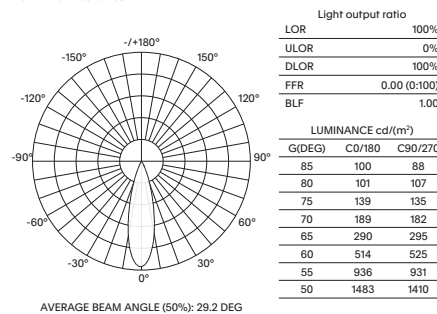
For Non-dimming add suffix ND
For DALI-2 dimming add suffix D

Example product order code configuration: POLKADOT-F35-1.5W-3K-30-D-(WH/BK)

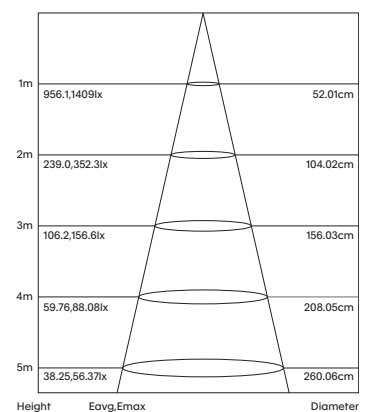
Model	Wattage	CCT	Distribution	Driver	Luminaire Finish / Baffle Finish
POLKADOT-F35	1.5W	3K	30	D	WH/BK

Light Distribution

POLKADOT-F35-3K-30



Cone Diagram



1 Luminaire efficacy based on CCT 3000K; CCT variations will alter efficacy
 2 +/- 10% stated initial LED and luminous flux tolerance
 3 Colour Rendering Index: >83 Standard (Osram SMD Series)
 4 Charges apply for non-standard colour/s and dimming options
 5 Five year manufacturer's warranty covering product defects and performance deficiencies