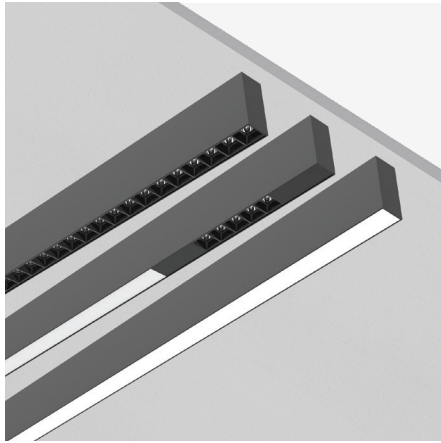
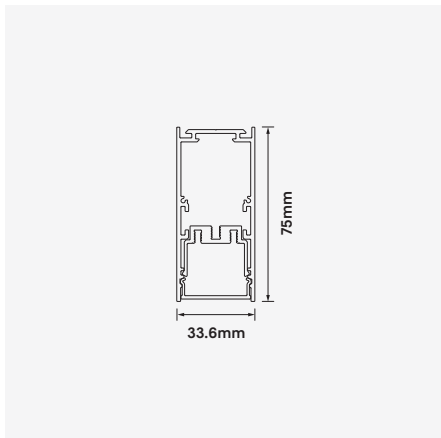


## Morph-30-SM

### Surface Mounted Linear LED Profile



Luminaire Finishes



Diffuser options

**Frost PMMA (FR)**  
Frosted Polymethyl Methacrylate



Accessories

**5-Cell module (CELL)**  
15°, 30°, 45°



WATTAGE 11W – 28W

CRI (Ra) >85

Bluetooth



WARRANTY 5YR

3-Step

110°

IP 44

Surface

Morph-30 LED linear lighting system is a configurable lighting system that uses customisable linear profiles, inserts and accessories to create unique application specific luminaires. The system gives engineers, designers and contractors the ability to create different lighting scenarios and environments in a single luminaire design. It is available as standard in a diffused zero dot LED PMMA diffuser for low visual glare. Low-glare cell modules can also be integrated into the system to provide a fixed light points to aid in task lighting or to create visual interest.

Regardless of the configuration Morph-30 can be surface mounted for a range of applications. The Morph-30 integrates Vossloh Schwabe LEDs and controls, plus optional DALI-2 or Bluetooth dimming. Systems are backed by a 5 year warranty.

- Luminaire wattage/m: 11W, 19W, 28W (System 13W, 22W, 32W)
- Luminous flux/m: 1068-1138Lm, 1735-1892Lm, 2380-2574Lm<sup>2</sup>
- Luminaire efficacy/m: 87.54Lm/W, 86.0Lm/W, 80.44Lm/W<sup>1</sup>
- LED working current: 150mA, 250mA, 350mA
- Correlated colour temperature: 3000K, 4000K, 5000K
- Colour rendering index: >85<sup>3</sup>
- Mac-Adams Ellipse: 3-SDCM
- LED Brand: Vossloh-Schwabe (Nichia SMD)
- LED mounting: Zhaga compliant mounting
- Longevity: >72,000Hrs L80 B10
- Diffuser options: Opal PMMA
- Distribution: 110° opal diffuser
- Ingress protection rating: IP44
- Luminaire finish: White, Black, Silver, Custom<sup>4</sup>
- Luminaire dimensions: Width 33.6mm x Height 75mm
- Driver: Non-Dimmable Vossloh-Schwabe LED driver as standard
- Dimming: DALI-2, BLE (Casambi) on request<sup>4</sup>
- Accessories: 5-Cell modules<sup>4</sup>
- Weight/m: 1.80kg (inc. non-dimmable driver)
- Warranty: 5 years<sup>5</sup>

Model	LED Output/m <sup>2</sup>	Luminous Flux/m <sup>2</sup>	LED Wattage/m	System Wattage/m	CCT	CRI <sup>3</sup>	Distribution	Current
MORPH-30-SM-11W-3K	2135Lm	1168Lm	11W	13W	3000K	>85	110°	150mA
MORPH-30-SM-11W-4K	2275Lm	1138Lm	11W	13W	4000K	>85	110°	150mA
MORPH-30-SM-11W-5K	2275Lm	1138Lm	11W	13W	5000K	>85	110°	150mA
MORPH-30-SM-19W-3K	3465Lm	1735Lm	19W	22W	3000K	>85	110°	250mA
MORPH-30-SM-19W-4K	3710Lm	1892Lm	19W	22W	4000K	>85	110°	250mA
MORPH-30-SM-19W-5K	3710Lm	1892Lm	19W	22W	5000K	>85	110°	250mA
MORPH-30-SM-28W-3K	4760Lm	2380Lm	28W	32W	3000K	>85	110°	350mA
MORPH-30-SM-28W-4K	5110Lm	2574Lm	28W	32W	4000K	>85	110°	350mA
MORPH-30-SM-28W-5K	5110Lm	2574Lm	28W	32W	5000K	>85	110°	350mA

For Non-dimming add suffix ND  
For DALI-2 dimming add suffix D  
For BLUETOOTH dimming add suffix BT

Example product order code configuration: MORPH-30-SM-28W-4K-ND-(WH/FR)

Model	Wattage	CCT	Driver	Luminaire Finish / Diffuser
MORPH-30-SM	+ 28W	+ 4K	+ ND	+ WH/FR

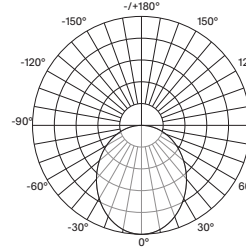
1 Luminaire Efficacy based on CCT 4000K; CCT variation will alter efficacy  
2 +/- 10% stated initial LED and luminous flux tolerance  
3 Colour Rendering Index: >85 Standard (Nichia SMD LED series)  
4 Charges apply for non-standard colour/s, Ra and dimming options and custom cuts and configurations  
5 Five year manufacturer's warranty covering product defects and performance deficiencies

## Morph-30-SM

### Surface Mounted Linear LED Profile

#### Light Distribution

MORPH-30-28W-4K



AVERAGE BEAM ANGLE (50%): 78.5 DEG

Light output ratio

LOR	100%
ULOR	0%
DLOR	100%
FFR	0.00 (0:100)
BLF	1.00

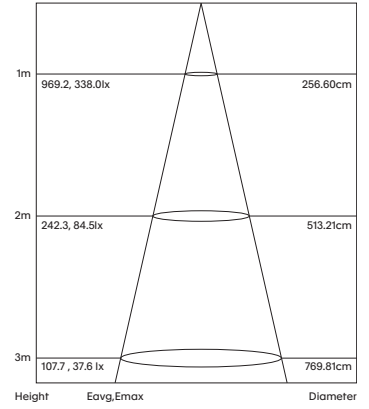
LUMINANCE cd/(m<sup>2</sup>)

G(DEG)	C0/180	C90/270
85	9016	13550
80	12636	14723
75	14392	16142
70	15742	17518
65	16904	18681
60	18045	19732
55	19072	20711
50	20055	21592
45	21028	22438

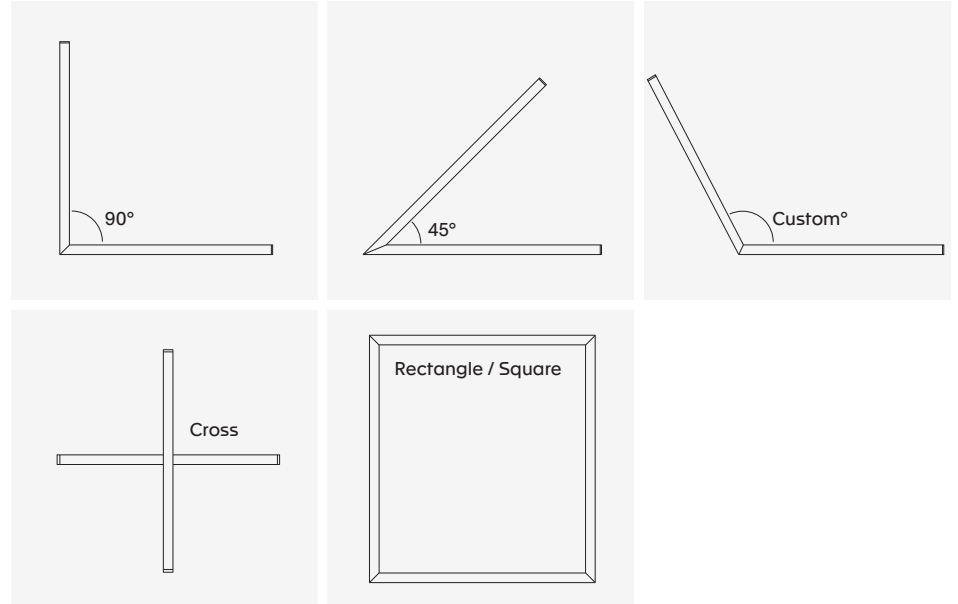
Utilisation Factors

Room Reflectance			Room Index								
Ceiling	Walls	Floor	0.80	1.00	1.25	1.50	2.00	2.50	3.00	4.00	5.00
70	50	20	53	62	70	75	83	88	92	97	100

#### Cone Diagram



#### Custom profile configuration<sup>4</sup>



- 1 Luminaire Efficacy based on CCT 4000K; CCT variation will alter efficacy
- 2 +/- 10% stated initial LED and luminous flux tolerance
- 3 Colour Rendering Index: >85 Standard (Nichia SMD LED series)
- 4 Charges apply for non-standard colour/s, Ra and dimming options and custom cuts and configurations
- 5 Five year manufacturer's warranty covering product defects and performance deficiencies