

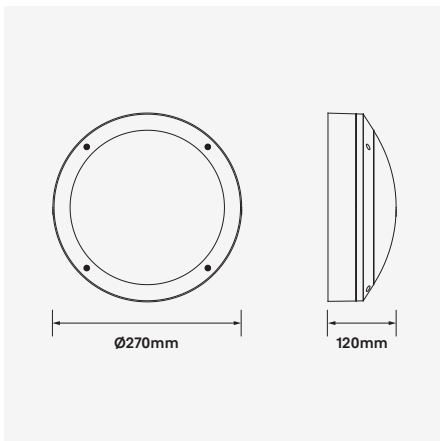
## Orion-D270

### 17.5W Surface Mount Bunker Luminaire



Luminaire Finishes

Black (BK)
  Silver (SV)
  White (WH)



Cover Options

Plain (PLN)



Eyelid (EYE)



Cross (CRS)



Grille (GRL)



WATTAGE 17.5W
120°
CRI (Ra) >80
IK 07
IP 65
CE
WARRANTY 5YR

3-Step
Surface
Emergency

Orion-D270 is an energy efficient surface mounted LED bunker suited to facade and ceiling applications. IP65 rated with an IK07 impact rating and quality aluminium die-cast housing, the Orion comes with a UV stable polycarbonate diffuser and silicon gasket.

Orion-D270 offers the latest in Seoul Semiconductor's LED technology with an optional integrated or self-testing emergency function. With a direct 240VAC connection for easy off installation, high quality powder coated finishes and custom colours on request the Orion-D270 is backed by a 5 year warranty and 2 year warranty on emergency.

- Luminaire wattage: 17.5W (System)
- Luminous flux: 1300-1400Lm<sup>2</sup>
- luminaire efficacy: 82.9Lm/W<sup>1</sup>
- Correlated colour temperature: 3000K, 4000K
- Colour rendering index: >80<sup>3</sup>
- Mac-Adams Ellipse: 3-SDCM
- LED brand: Seoul Semiconductors, Vossloh-Schwabe SMD
- Symmetrical distribution: 120°
- Outer Trim Ø270mm x Depth 120mm
- Ingress protection rating: IP65
- Impact protection: IK07
- Luminaire finish: Black, White, Silver<sup>4</sup>
- Longevity: >50,000hrs L70 B50
- Nominal Working Voltage: 240VAC
- Optional: 3W integrated, 3hrs Emergency function, self diagnostic, self-testing
- Weight: 1.5Kg (Inc. driver)<sup>4</sup>
- Warranty: 5 years (Luminaire); 2 years (Battery)<sup>5</sup>

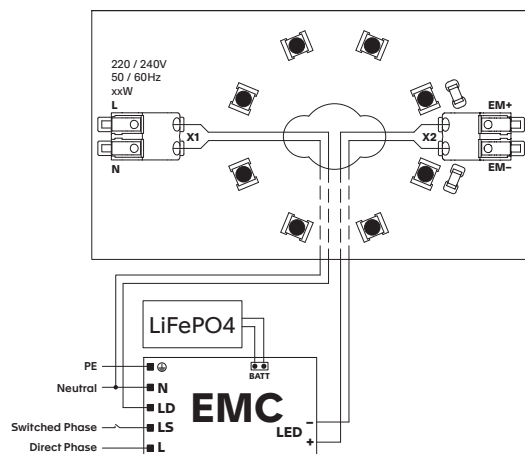
Model	Luminous Flux <sup>2</sup>	System Wattage	CCT	CRI <sup>3</sup>	Distribution
ORION-D270-17.5W-3K	1300Lm	17.5W	3000K	>80	120°
ORION-D270-17.5W-4K	1450Lm	17.5W	4000K	>80	120°
ORION-D270-17.5W-3K-EM	1300Lm / 560Lm	17.5W / 3W	3000K	>80	120°
ORION-D270-17.5W-4K-EM	1450Lm / 560Lm	17.5W / 3W	4000K	>80	120°

Denotes Emergency

Example product order code configuration: ORION-D270-17.5W-3K-120-(BK/PLN)

Model	Wattage	CCT	Distribution	Luminaire Finish / Cover Option				
ORION-D270	+	17.5W	+	3K	+	120	+	BK/PLN

#### Emergency



1 Luminaire efficacy based on CCT 4000K; variation in CCT will alter efficacy

2 +/- 10% stated initial luminous flux tolerance

3 Colour Rendering Index; >80 Standard

4 Charges apply for non-standard colour/s

5 Five year manufacturer's warranty covering product defects and performance deficiencies, two years on emergency function + battery